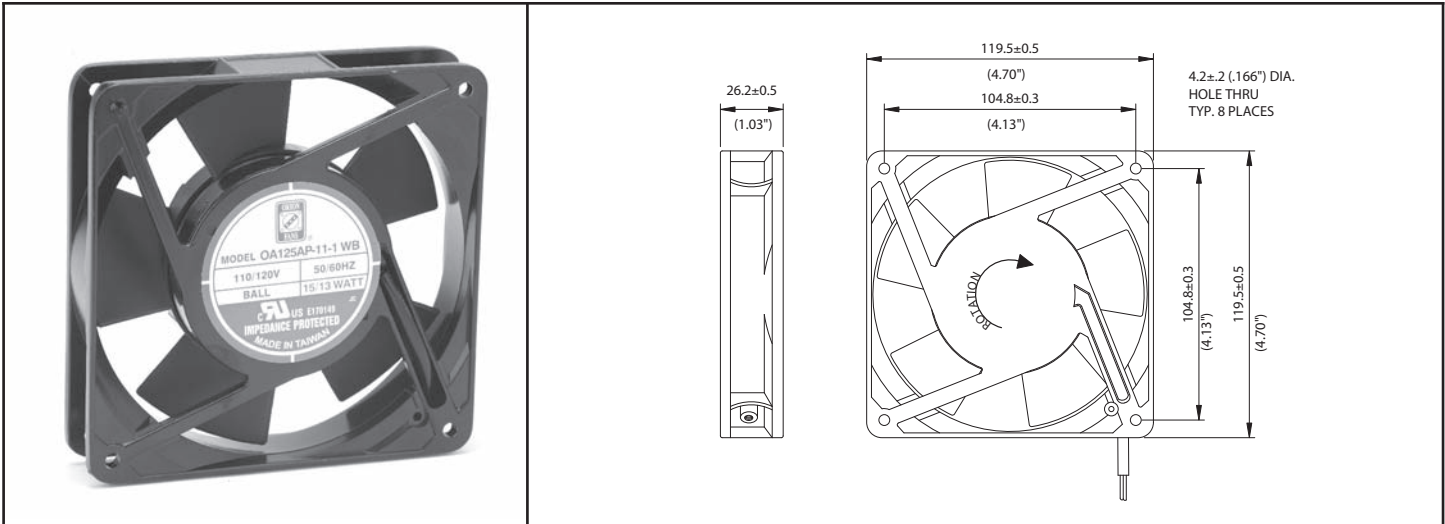


OA125 Series



AC Fan - 115V, 230V, Dual Voltage
120 x 25mm (4.7" x 1.0")



Frame	Diecast Aluminum	<p><u>Operating Temperature</u> Ball Bearing -20C ~ +80C Sleeve Bearing -10C ~ +50C</p> <p><u>Life Expectancy</u> Ball Bearing 60,000 hours (L10 at 40C) Sleeve Bearing 30,000 hours (L10 at 40C)</p> <p><u>Dual Voltage</u> Connection via 4x leads. Fans can be configured for 115V or 230V operation.</p> <p>m0</p>	
Impeller	PBT, UL94V-O plastic		
Connection	2x Lead Wires 22 AWG or terminals		
Motor	Shaded pole, impedance protected Tachometer available (5VTTL), input 5 ~24V		
Bearing System	Dual ball or Sleeve		
Insulation Resistance	>100M ohm between lead-wire and frame (500VDC)		
Dielectric Strength	1 min at 1500 VAC, 50/60Hz		

Model Number	Speed (RPM)	Airflow (CFM)	Noise (dB)	Volts AC	Voltage Range	Watts	Max. Static Pressure (\"H2O)
OA125AP-11-1*	2900	81	33	115	80~130	13	.23
OA125AP-11-2*	2300	60	27	115	80~130	10	.18
OA125AP-11-3*	1600	42	22	115	80~130	6	.12
OA125AP-22-1*	2900	81	32	230	160~260	13	.23
OA125AP-22-2*	2300	60	27	230	160~260	10	.18
OA125AP-22-3*	1600	42	22	230	160~260	6	.12
OA125AP-11/22-1W**	2900	81	32	115/230	80~260	13	.23
OA125AP-11/22-2W**	2300	60	27	115/230	80~260	10	.18
OA125AP-11/22-3W**	1600	42	22	115/230	80~260	6	.12

* Indicate "TB" (Terminal Ball Bearing), "WB" (12" Wire Leads, Ball Bearing), "TS" (Terminal, Sleeve Bearing), "WS" (12" Wire Leads, Sleeve Bearing)

** Indicate "B" (Ball Bearing) or "S" (Sleeve Bearing)

Frame Style - m0