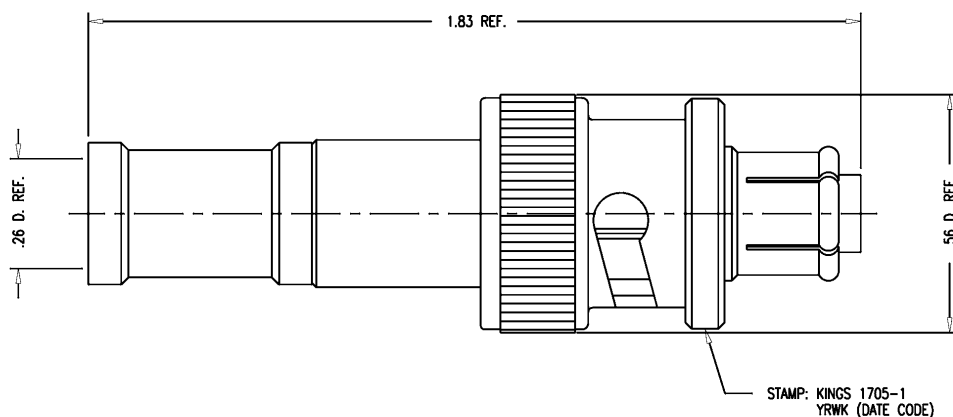


DASH NO.	M CODE	MADE FROM
----------	--------	-----------

GSD

1705-1

REVISIONS	
ISSUE	CHANGES
6	CN 32731 C REDRAWN KH 12/10/90
7	CN 35381 E MJB 03/30/94
8	CN 37799 E TML 03/09/99



- NOTES:
- FOR USE WITH RG-59, 62 & 210/U CABLE.
  - FOR CABLING INSTRUCTIONS SEE CP-441.
  - FOR CABLE TRIMMING USE KTJ-72 & KTD-134.
  - FOR CRIMPING USE DIE KTH-2062.
  - MATERIALS:  
INSULATOR: TEFLON, ASTM-D-1457  
GASKET: SIL. RUB., ZZ-R-765  
K-GRIP SLEEVE: COMMERCIAL BRONZE TUBE, ALLOY 220  
SPRING WASHER & CONTACTS: BER. COP., ASTM-B-196  
ALL OTHER PARTS: BRASS, QQ-B-626
  - FINISHES:  
CENTER CONTACT: HARD GOLD PLT. PER MIL-G-45204  
ALL OTHER METAL PARTS: KINGS TARNISH RESISTANT FINISH (TR-5)
  - ELECTRICAL CHARACTERISTICS:  
OPERATING VOLTAGE: 3500 VOLTS AC  
5000 VOLTS DC

JCA1161

SCALE 4:1	
APPROX SURFACE AREA	
USED ON	
REF: N.B.S. ND-545C	
PLUG, SHV	
DRAWN JCA	DATE 12/10/90
DESIGN LI	DATE 12/11/90
APPR.	DATE

GSD

 ELECTRONICS CO., INC. TUCKAHOE, NEW YORK 10707	
1705-1	