

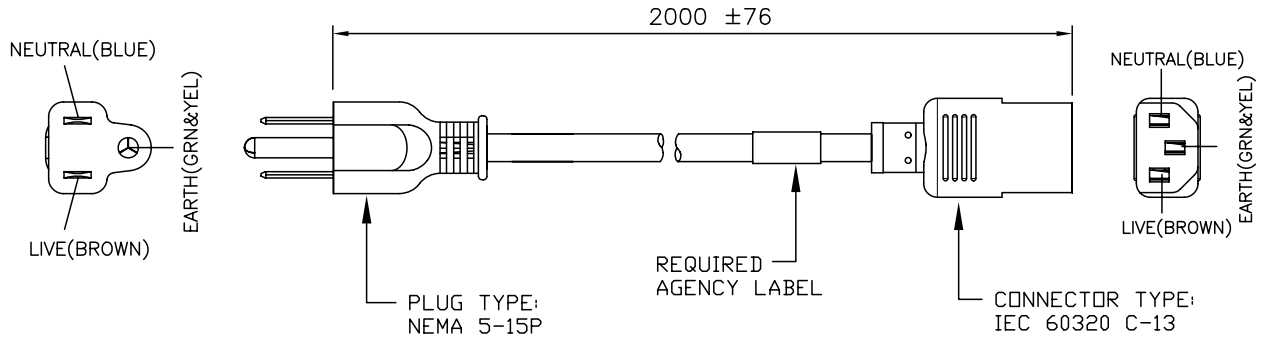
VOLEX

GROUP

Standard Cord Details: 17500 10 B1

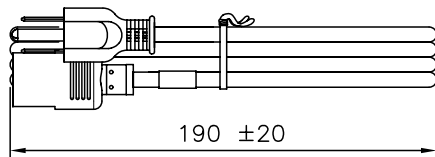


Specifications	
Certifications	
Part Number	17500 10 B1
Connector Type	C13
Plug Type	5-15P
Category	Plastic
Application	Detachable
Plug Catalog No.	US15S3
Connector Catalog No.	386A
Cable	SJT AWG 18x3
Jacket Color	black
Length in Feet	6'7
Length in Meters	2
Temperature Rating	60 C
Packaging Units Per Carton	H-100,H-25
Color Coding	International
Nominal OD in Inches	0.315
Nominal OD in Millimeters	8
Notes	See 17758 for 105C version. See 17600 for shielded version.



VOLEX RESERVES THE RIGHT TO ALTER NON-CRITICAL DIMENSIONS WITHOUT NOTICE.

PACKAGING: FOLD & TIE



NOTES:

- 1) CORDAGE: 18/3 SJT, 60°C, BLACK
- 2) APPROVALS:
- 3) RATING: 10 AMP/125 VOLTS
- 4) FLAME RATING : FT2
- 5) PACKAGING: 50 PIECES/CARTON
- 6) ALL DIMENSIONS IN MILLIMETERS.

REV	DESCRIPTION	DATE
4	REVISED TO SHOW CHINA MANUFACTURED CORD	11/26/07
3	UPDATED O/A LENGTH TOLERANCE & HANKING	11/22/04
2	FORMAT UPDATE	08/18/04

	<input checked="" type="checkbox"/> Indianapolis, IN <input type="checkbox"/> Conover, N.C. <input type="checkbox"/> Freemont, CA <input type="checkbox"/> Aguascalientes, MX <input type="checkbox"/> Tijuana, Mexico <input type="checkbox"/> Hermosillo, MX <input type="checkbox"/> Clinton, AR <input type="checkbox"/> Kanata, Canada	Proprietary Notice: This document is the property of Volex Incorporated. The information contained herein is not to be disclosed to anyone without the express written consent of Volex Inc.	MATERIAL: PLUG: PVC, BLACK JACKET: PVC, BLACK RoHS/Prop 65 Compliant	SCALE: NOT TO SCALE	ECD: N/A	ITEM DESCRIPTION CORDSET-NORTH AMERICAN DETACHABLE POWER SUPPLY CORD (6'7")		
	FINISH: JACKET: SMOOTH		TOLERANCE UNLESS OTHERWISE SPECIFIED .XXX ± .005 .X ± .02 FRACT. ± 1/32 ANGULAR ± 1/2°		APPROVED STC	DRAWN BY ARK	DATE: 06/08/04	PART NO. 17500 10 B1

FORM IN71-07 REV.A