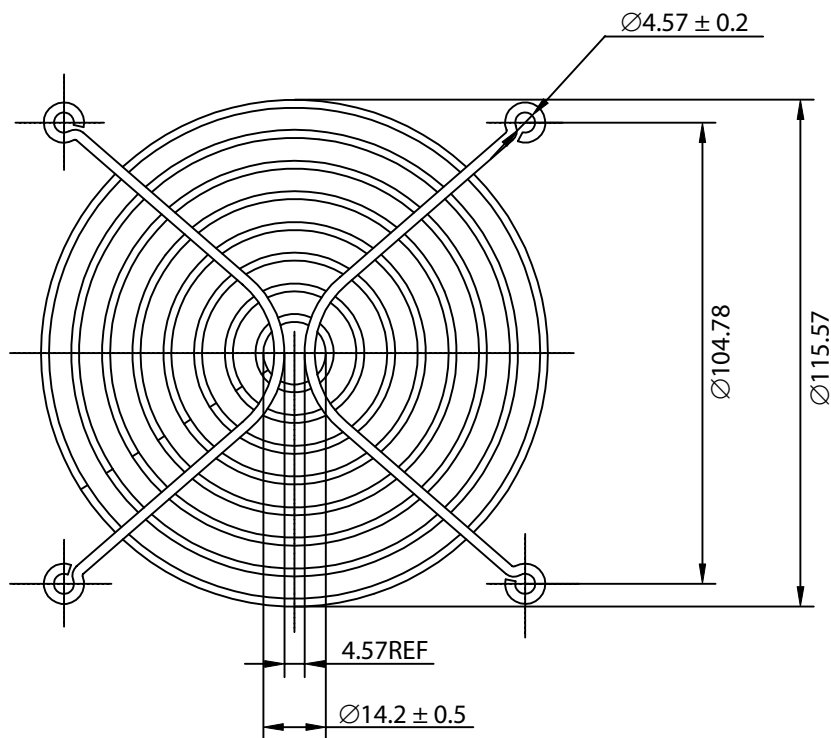


THESE DRAWINGS ARE THE PROPERTY OF QUALTEK ELECTRONICS AND NOT TO BE REPRODUCED FOR OR COMMUNICATED TO A THIRD PARTY WITHOUT THE EXPRESS WRITTEN PERMISSION OF AN OFFICER OF QUALTEK ELECTRONICS.

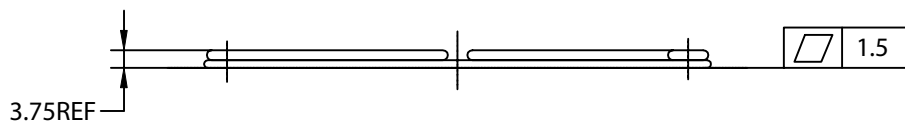
| REVISION | | | |
|----------|-----------------|----------|----------|
| REV. | DESCRIPTION | DATE | APPROVED |
| B | RoHS Compliancy | 06-01-06 | DP |
| | | | |
| | | | |



NOTES:

1. MATERIAL: C1008 BRIGHT BASIC WIRE
2. FINISH: BRIGHT NICKEL CHROME PLATING
3. 0.35 ± 0.05 DEPTH OF SERRATIONS ON WIRE
4. RING: $\varnothing 1.8 \pm 0.1$ mm
RIB: $\varnothing 2.3 \pm 0.1$ mm
5. GENERAL TOLERANCE UNLESS NOTED IS ± 0.5 mm
6. RoHS COMPLIANT

CONTROLLED



| Dim range (mm) | Tolerance +/- (mm) | Qualtek Electronics Corp. FAN-S DIVISION | | |
|----------------|--------------------|---|-----------------------------|-----------------|
| | | Part Number: | RoHS Compliant | |
| 0-5 | 0.1 | 08129 | WIRE FORM FAN GUARD (120mm) | |
| 5-16 | 0.15 | | | |
| 16-64 | 0.2 | | UNIT: mm | REV: B |
| 64-250 | 0.4 | Drawn / Date | Checked / Date | Approved / Date |
| 250-1000 | 0.5 | B.ZHANG 12-10-04 | 12-10-04 | JJH / 12-10-04 |
| 1000-1500 | 1.0 | | | |