

Item # 722-0001 VAC, 2-Hole Rectangular



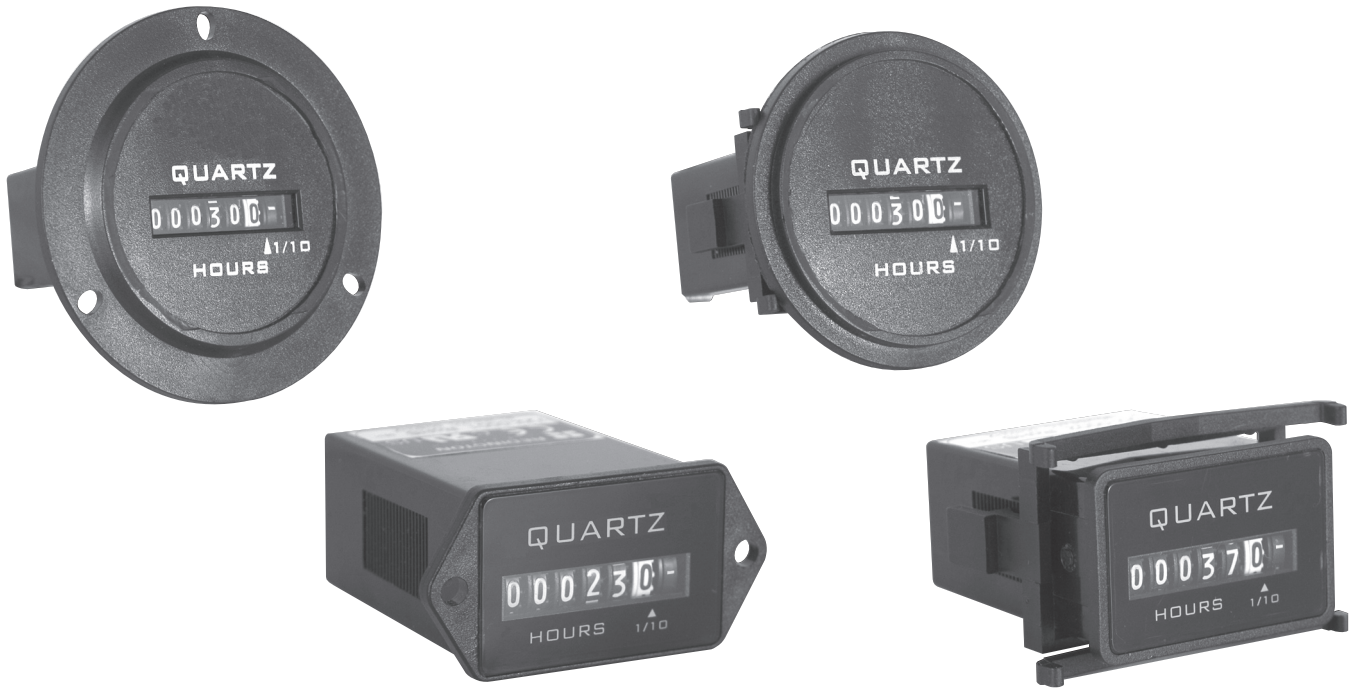
VAC, 2-Hole Rectangular

The Redington Model 722 provides an AC Hour Meter with an operating range of 90-264VAC 50/60 Hz. You no longer require two separate meters, one for 115VAC and one for 230VAC. Models are available in the standard industry housings. Its quartz time base insures accurate long-term time keeping. The Totally Sealed case protects against the environment and provides years of reliable service. All applicable models are NEMA 4X, 12 rated when mounted with optional gasket.

Specifications

Model No.	722
Mounting	2-Hole Rectangular
Reset	Non-reset
Termination	1/4 inch (6.3mm) spade terminals
Display	6 - digits, 0.125 inch (3.2mm) 99999.9 Hours - white on black Tenths - red on white
Display Height	0.125 Inch
Display Height	3.2 mm
No. of Digits	6
Records	99999.9 hours
Accuracy	± 0.02 over entire range
Input Voltage	90-240 VAC 50-60 Hz ± 10%
Power	Less than 0.6 watts
Operating Temperature	-40 to +185 °F
Operating Temperature	-40 to +85 °C
Case Material	Black Polymer
Weight	2 oz
Weight	57 gm

Panel Cutout	1.45 x 0.95 Inch
Panel Cutout	36.8 x 24.1 mm
Approvals	UL/CSA Recognized, CE Compliant
Environmental Protection	Totally sealed
Vibration	10-75 Hz
Stock Availability	Yes
Accessory	5003-010 (NEMA 4X, 12 Gasket)



Description

The Redington Model 722 provides an AC Hour Meter with an operating range of 90-264VAC 50/60 Hz. You no longer require two separate meters, one for 115VAC and one for 230VAC. Models are available in the standard industry housings, 2-Hole Rectangular, Flush-Rectangular, Flush-Round and 3-Hole Round. Its quartz time base insures accurate long-term time keeping. The Totally Sealed case protects against the environment and provides years of reliable service. All models are NEMA 4X,12 rated when mounted with optional gasket.

Features

- Operating voltage 90-264VAC 50/60Hz
- Totally Sealed
- UL/cUL Recognized, CE & RoHS Compliant
- 6 Figure, 99999.9
- Quartz accuracy

Options

- Wire leads
- Gasket kit (for NEMA 4X, 12 rating)
- Custom lens
- Terminals up, down, straight

Specifications

Figures: 6 - digits, 0.14" [3.6mm] 99999.9
Hours and indicator - white on black
Decimal - black on white

Reset: Non-reset

Voltage: 90-264VAC

Frequency: 50/60Hz

Power: 1 watt max.

Mounting: Clip or mounting holes

Termination: ¼" [6.3mm] spade terminals

Weight: ~2 oz [57 g]

Accuracy: ± 0.02% over entire range

Case Material: Black polymer

Lens Material: Polymer

Agency Approvals: UL/cUL Recognized, CE & RoHS Compliant, SAE & NEMA 4X, 12 Compliant

Environmental: Totally Sealed

Front Panel: NEMA 4X, 12 rated with optional gasket

Temperature: -40°F to +185°F [-40°C to + 85°C]

Humidity: 95% (SAE J1378)

Vibration: 10-80 Hz, 20g max. (SAE J1378)

Shock: 55g @ 9 - 13msec (SAE J1378)

Models Description

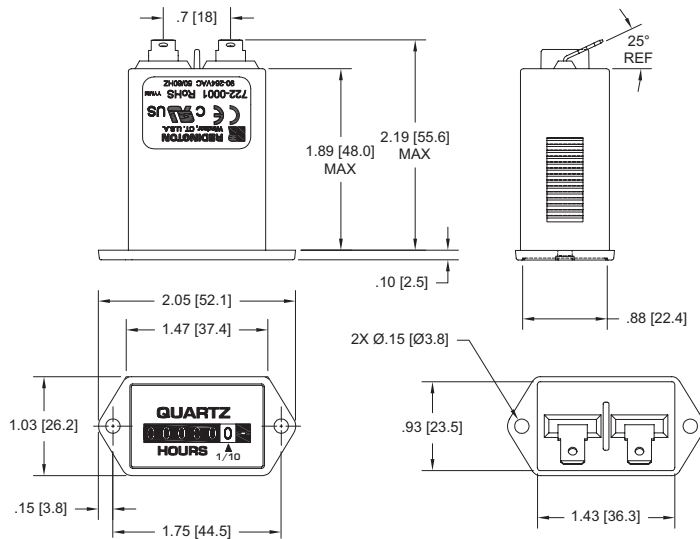
722-0001	2-Hole Rectangular, 90-264VAC 50/60Hz, ¼" [6.3mm] spade terminals, hours & 1/10's
722-0002	Flush-Rectangular, 90-264VAC 50/60Hz, ¼" [6.3mm] spade terminals, hours & 1/10's
722-0003	Flush-Round, 90-264VAC 50/60Hz, ¼" [6.3mm] spade terminals, hours & 1/10's
722-0004	3-Hole Round, 90-264VAC 50/60Hz, ¼" [6.3mm] spade terminals, hours & 1/10's
5003-009	NEMA 4X, 12 Gasket for Model 722-0002
5003-010	NEMA 4X, 12 Gasket for Model 722-0001
5003-011	NEMA 4X, 12 Gasket for Model 722-0004
5003-008	NEMA 4X, 12 Gasket for Model 722-0003

* All items are normally in factory stock



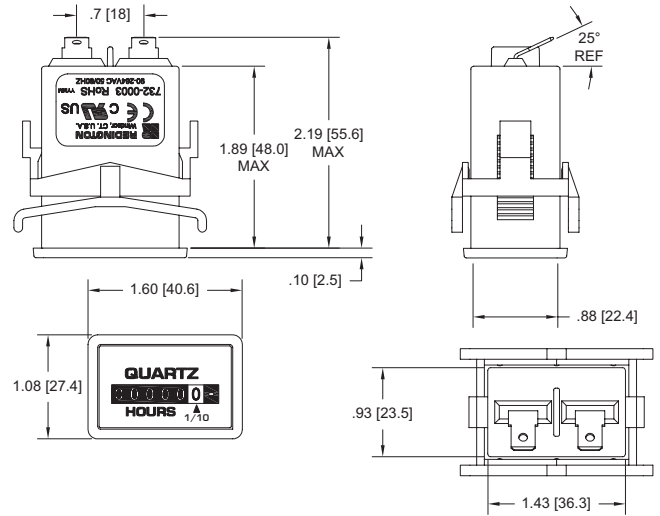
Dimensions

2-Hole



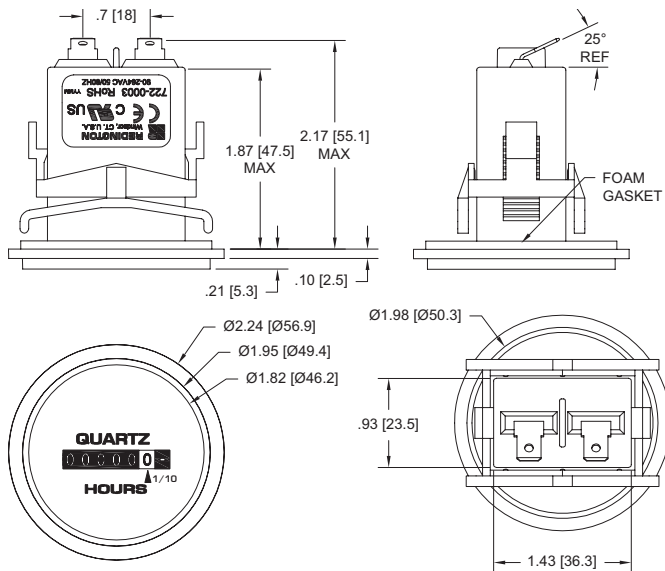
Panel Opening: 1.45" X 0.95" [36.8 X 24.1]

Flush-Rectangular



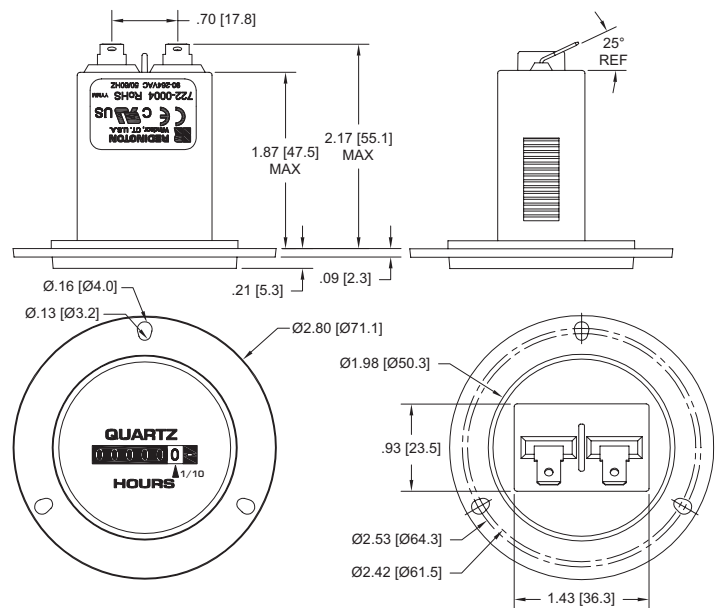
Panel Opening: 1.45" X 0.95" [36.8 X 24.1]
Panel Thickness: 0.03 to 0.63 [0.76 to 16.00]

Flush-Round



Panel Opening: 2.0" [50.6]
Panel Thickness: 0.40 [10.2] Max.

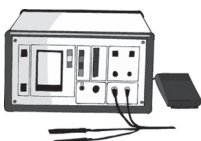
3-Hole Round



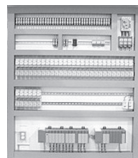
Panel Opening: 2.0" [50.6]

Applications

Medical Equipment



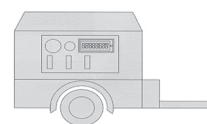
Control Panels



Test Equipment



Generators



Office Equipment

