


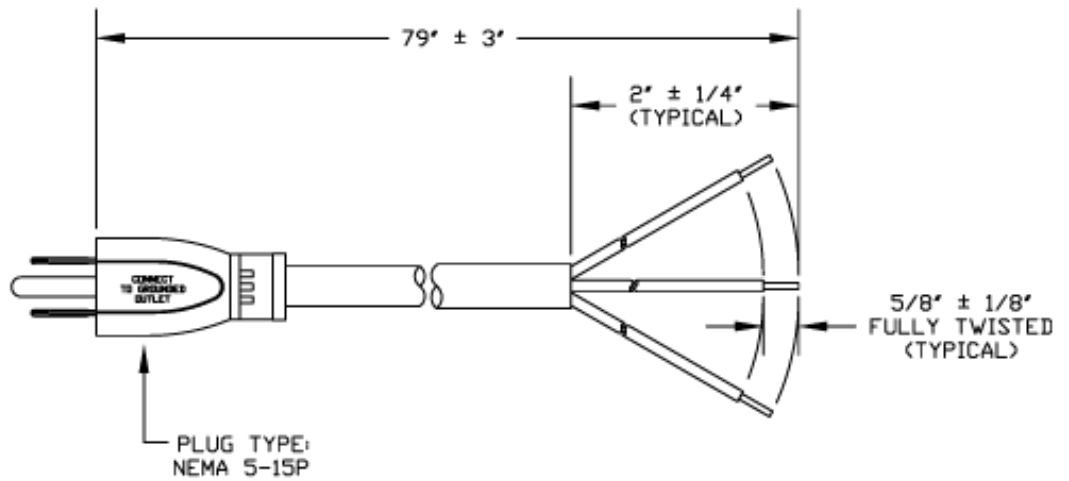
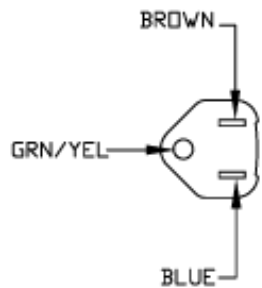
VOLEX

GROUP

Standard Cord Details: 17516 10 B1

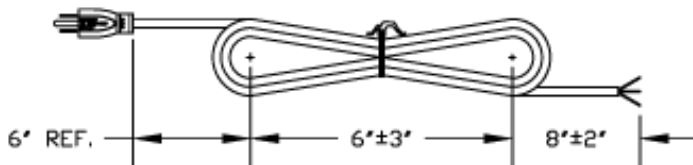


Specifications	
Certifications	
Part Number	17516 10 B1
Connector Type	none
Plug Type	5-15P
Category	Plastic
Application	Non-Detachable
Plug Catalog No.	PS204
Connector Catalog No.	
Cable	SJT AWG 14x3
Jacket Color	black
Length in Feet	6'7
Length in Meters	2
Temperature Rating	60 C
Packaging Units Per Carton	H-100,H-25
Color Coding	International
Nominal OD in Inches	0.38
Nominal OD in Millimeters	9.65



VOLEX RESERVES THE RIGHT TO ALTER NON-CRITICAL DIMENSIONS WITHOUT NOTICE.

PACKAGING: FOLD & TIE



NOTES:

- 1) CORDAGE: 14/3/SJT/60°C/BLACK
- 2) APPROVALS:
- 3) RATING: 15 AMP/125 VOLTS
- 4) FLAME RATING: FT2
- 5) CORDAGE D.D.: .380 (REF.)
- 6) PACKAGING: 100 PIECES/CARTON
- 7) ALL DIMENSIONS IN inches.

REV	DESCRIPTION	DATE
1	C.U.D	3/21/06



FORM IN71-07 REV.A

- Indianapolis, IN
- Conover, N.C.
- Fremont, CA
- Aguascalientes, MX
- Tijuana, Mexico
- Hermosillo, MX
- Clinton, AR
- Kanata, Canada

Proprietary Notice:

This document is the property of Volex Incorporated. The information contained herein is not to be disclosed to anyone without the express written consent of Volex Inc.

MATERIAL:
PLUG: PVC, BLACK
JACKET: PVC, BLACK

FINISH:
JACKET: SMOOTH

SCALE:
NOT TO SCALE

ECD:
N/A

ITEM DESCRIPTION
CORDSET - NORTH AMERICAN
POWER SUPPLY CORD (67")

TOLERANCE UNLESS OTHERWISE SPECIFIED
.XXX ± .005
.XX ± .02
.X ± .03
FRACT. ± 1/32
ANGULAR ± 1/2°

APPROVED

DRAWN BY

DATE:

STC

3/21/06

PART NO.

17516 10 B1