



Eurostyle Screw Terminal Strips for Panel / Chassis Mounting

TYPE 324 (-HDS)

11.5 mm spacing - 1 to 12 poles



Series	Download PDF	3D Model	Can plug with	How to order	Color specifications	Print
--------	--------------	----------	---------------	--------------	----------------------	-------



RoHS WEEE Pb free compliant

Description

- standard version
- Recommended mounting hardware: M3.5 pan head screw (#6-32 pan head screw) or similar sized sheet metal screw, self-tapping screw or rivet.

Technical Data

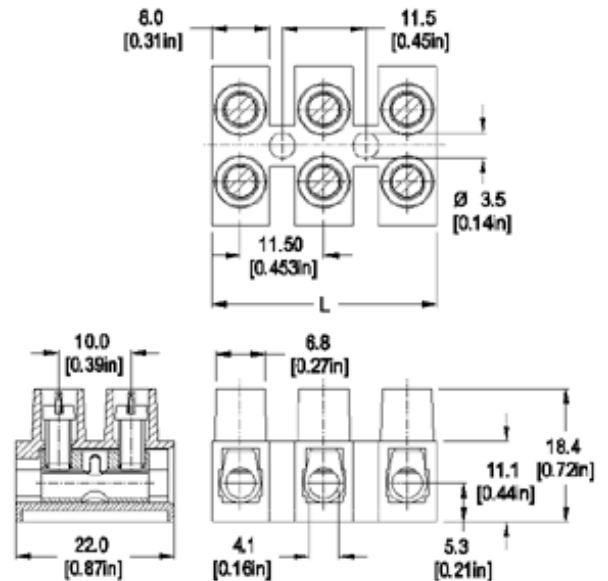
Center to Center Spacing: 11.5 mm (0.453 in.)

Nominal Cross Section:

4 mm² (6199 mils²)

Wire Stripping Length: 7 mm (0.28 in.)

Application



Dimensions: mm (in.)

Length of Connector (L)

L = No. of Poles x Center to Center Spacing - 3.5 mm

When locating connector, allow 0.5 mm clearance around it for process-induced variations.

Approval Information

UL File No.E69841

CSA File No.LR24322



The panel and chassis mounted series are ideal for connecting electrical control panels to external power sources, signal sources, other electrical panels and electrical loads of many types and sizes. The electrical panel's or electrical enclosure's internal components and circuitry are connected to their appropriate external electrical circuitry through these terminal blocks. The screw tightened connections result in high contact forces thus promoting safe wire secureness and retention, low electrical resistance and safe reusable connections. All wire retention screws are captive in their towers and they cannot fall out during transportation, installation and use. Wire protectors are available to protect small gauge stranded wires from screw damage. These terminal strips can be completely enclosed within the enclosures or be placed at an enclosure opening with one side accessible for external cabling and the other for internal wiring. They can be specially marked to your specifications.

Rating	Current(A)	Voltage(V)	Application group	AWG
UL	35	300	B,D	22-8
CSA	40	300	B,D,E	22-10

* UL 300V / C and 600V / D: if mounted on a suitable insulated surface, on standoffs, or equivalent means to maintain spacing from live parts to the mounting surface.

UL: wire range is extended to 26 AWG for factory wiring.

Version HDS is CSA certified for 26-10 AWG.

Screw Tightening Torque:

UL: 7.0 lbf·in

CSA: 0.8 Nm

International Approvals:



[▲
Top of page](#)

Material

Molding: Polyamide, self extinguishing to UL 94, V-2, color off-white

Temperature limits:

Short Time: 140°C (284°F)

Continuous: RTI 105°C (221°F)

Low Limit: -40°C (-40°F)

Comparative Tracking Index: CTI > 600

Oxygen Index Rating: 25%

Terminal Body: Nickel plated copper alloy

Wire Protector: Stainless steel strip

Screw: M3.5, Slotted head, zinc plated blue passivated, steel substrate

How to order

Item **324 (-HDS)**

Options

CN: Consecutive Numbering (hot stamped numbers)

SM: Special Marking (please provide sketch)

BS: Copper Alloy Screw

PS: Clear Chromate Passivated, zinc plated, Steel Screws

G05: Gold Plating (5 micro inches)

G30: Gold Plating (30 micro inches)

S30: Silver Plating (30 micro inches)

Note: Plated component for non HDS versions only: terminal body

Ordering Note: Series 300 Terminal Strips can be supplied in other colors. Can be supplied in polyamide UL 94 V-0. Please consult factory. As a special execution, it can be made up to 24 poles.

Request sample

Request quote

Quantity

Accessories

[BST Marking Strips for terminal strips.](#)

[Jumper Combs, Series 300-J.](#)

WIRE PROTECTOR:
with: - HDS

POLES:
01 to 12

324

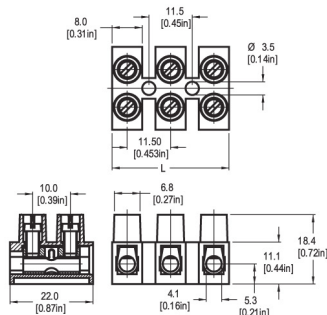
/

Add to shopping cart

Eurostyle Screw Terminal Strips for Panel/Chassis Mounting

Series 300

Types 324 (-HDS)
11.5 mm spacing • 1 to 12 poles



Dimensions: mm (in.) When locating connector, allow 0.5 mm clearance around it for process-induced variations.
Length of Connector (L) L = No. of Poles x Center to Center Spacing - 3.5 mm

DESCRIPTION

- Standard version
- Recommended mounting hardware: M3.5 pan head screw (#6-32 pan head screw)

APPLICATION

Due to high resistance to vibrations, these terminal strips serve in applications using line voltage motors or in construction vehicle. Terminal strips are also used in Heating/ventilation/air conditioning (HVAC) products.

TECHNICAL DATA

Center to Center Spacing: 11.5 mm (0.453 in.) Wire Stripping length: 7 mm (0.28 in.)
Nominal Cross Section: 4 mm² (6199 mils²)

APPROVAL INFORMATION

	Rating	Current (A)	Voltage (V)	AWG	Application Group	Screw Tightening Torque
UL File No.: E69841	UL	35	300	22-8	B,D	max. 7.0 lbf.in.
CSA File No.: LR24322	CSA	40	300	22-10	B,D,E	max. 0.8 Nm

UL 300V / C and 600 V / D: if mounted on a suitable insulated surface, on standoffs, or equivalent means to maintain spacing form live parts to the mounting surface.

UL: wire range is extended to 26 AWG for factory wiring.

Version HDS is CSA certified for 26-10 AWG.

International Approvals:

MATERIAL

MOLDING: Polyamide, self extinguishing to UL 94, V-2, off-white

TEMPERATURE LIMITS:	Short time:	140°C (284°F)
	Continuous:	RTI 105°C (221°F)
	Low limit:	-40°C (-40°F)
	Comparative Tracking Index:	CTI > 600
	Oxygen Index Rating:	25%

Terminal Body: nickel plated copper alloy

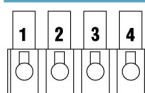
Wire Protector: stainless steel strip

Screw: yellow chromate passivated, zinc plated, steel, M3.5

ACCESSORIES

- BST Marking Strips.
- Jumper Combs, Series 300-J.

OPTIONS See How to Order. If more than one option is required, please separate each option with a dash (-).



CN: Consecutive Numbering (not stamped Black numbers)

SM: Special Marking (please provide sketch)

BS: Copper Alloy Screws

PS: Clear chromate passivated, zinc plated, steel screws

G05: Gold Plating (5 micro inches)

G30: Gold Plating (30 micro inches)

S30: Silver Plating (30 micro inches)

(Plated components: for non HDS versions only: terminal body)

HOW TO ORDER

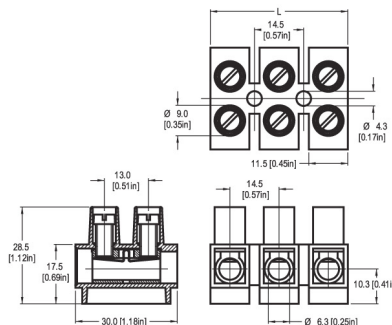
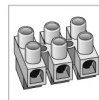
WIRE PROTECTOR:	POLES:	OPTIONS:
with: - HDS	01 to 12	CN, SM, BS, PS, G05, G30, S30
324	/	-

Series 300

Types 327-FU (-HDS)
14.5 mm spacing • 1 to 12 poles



Raised Base



Dimensions: mm (in.) When locating connector, allow 0.5 mm clearance around it for process-induced variations.
Length of Connector (L) L = No. of Poles x Center to Center Spacing - 3 mm

DESCRIPTION

The -FU designation provides a higher profile and therefore higher creepage distances to meet certain VDE design requirements.

- Raised base
- Recommended mounting hardware: M4 pan head screw (#8-32 pan head screw)

APPLICATION

Due to high resistance to vibrations, these terminal strips serve in applications using line voltage motors or in construction vehicle. Terminal strips are also used in Heating/ventilation/air conditioning (HVAC) products.

TECHNICAL DATA

Center to Center Spacing: 14.5 mm (0.571 in.) Wire Stripping length: 9 mm (0.35 in.)
Nominal Cross Section: 16 mm² (24796 mils²)

APPROVAL INFORMATION

	Rating	Current (A)	Voltage (V)	AWG	Application Group	Screw Tightening Torque
UL File No.: E69841	UL	65	600	14-6	B,C,D	max. 16.0 lbf.in.
CSA File No.: LR24322	CSA	80	600	14-6	B,C,D,E	max. 2.0 Nm

International Approvals:

MATERIAL

MOLDING: Polyamide, self extinguishing to UL 94, V-0, off-white

TEMPERATURE LIMITS:	Short time:	140°C (284°F)
	Continuous:	RTI 105°C (221°F)
	Low limit:	-40°C (-40°F)
	Comparative Tracking Index:	CTI > 600
	Oxygen Index Rating:	33%

Terminal Body: nickel plated copper alloy

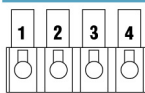
Wire Protector: stainless steel strip

Screw: yellow chromate passivated, zinc plated, steel, M5

ACCESSORIES

- BST Marking Strips.
- Jumper Combs, Series 300-J.

OPTIONS See How to Order. If more than one option is required, please separate each option with a dash (-).



CN: Consecutive Numbering (not stamped Black numbers)

SM: Special Marking (please provide sketch)

PS: Clear chromate passivated, zinc plated, steel screws

WS: Wire Stop (to control the wire insertion depth)

G05: Gold Plating (5 micro inches)

G30: Gold Plating (30 micro inches)

S30: Silver Plating (30 micro inches)

(Plated components: for non HDS versions only: terminal body)

WS is for HDS versions only

HOW TO ORDER

WIRE PROTECTOR:	POLES:	OPTIONS:
with: - HDS	01 to 12	CN, SM, PS, G05, G30, S30
327-FU	/	-