



MICRO SWITCH

FREEPORT, ILLINOIS, U.S.A.
A DIVISION OF HONEYWELL

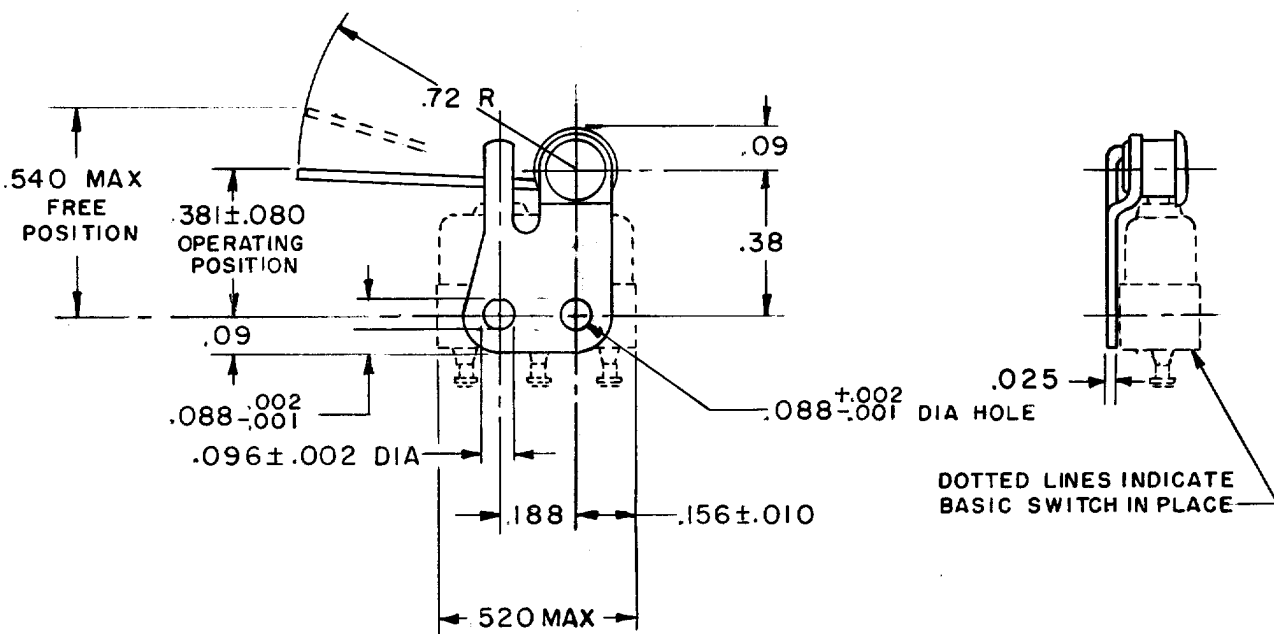
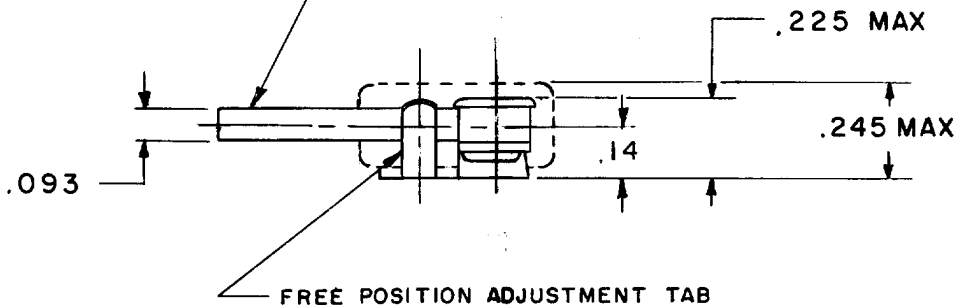
FED. MFG. CODE 91929

SWITCH-ACTUATOR

CATALOG LISTING

JX-26

CORROSION RESISTANT STEEL ACTUATOR
AND BRACKET (TYPE 302)



THIS DRAWING COVERS A PROPRIETARY ITEM AND IS THE PROPERTY OF MICRO SWITCH, A DIVISION OF MINNEAPOLIS-HONEYWELL REGULATOR CO. THIS DRAWING IS NOT TO BE COPIED OR USED WITHOUT THE APPROVAL OF MICRO SWITCH.

CHARACTERISTICS WITH ISX1-T BASIC SWITCH INSTALLED

OPERATING FORCE	1.5 OZ MAX
RELEASE FORCE	4 GRAMS MIN
DIFFERENTIAL TRAVEL	.030 MAX
OVERTRAVEL	.015 MIN

ELECTRICAL DATA

CONTACT ARRANGEMENT

SCALE 2 TO 1

DO NOT SCALE PRINT

UNLESS OTHERWISE NOTED

DIMENSIONS ARE IN INCHES

TOLERANCES ARE:

ONE PLACE	(.0)	±.030
TWO PLACE	(.00)	±.015
THREE PLACE	(.000)	±.005
ANGLES		±

WEIGHT

JX-26

M

DRAWING NUMBER

X2

X2

ISSUE

3

REPLACES

RELEASE NO. PR-1303

CHECK

27 AUG 63

3

27 AUG 63

3

27 AUG 63

3

27 AUG 63

3

27 AUG 63

3

27 AUG 63

3

27 AUG 63

3

27 AUG 63

3

27 AUG 63

3

27 AUG 63

3

27 AUG 63

3

27 AUG 63

3

27 AUG 63

3

27 AUG 63

3

27 AUG 63

3

27 AUG 63

3

27 AUG 63

3

27 AUG 63

3

27 AUG 63

3

27 AUG 63

3

27 AUG 63

3

27 AUG 63

3

FO-50376

DRAWN

27 AUG 63

MBF