

MICRO SWITCH

A DIVISION OF MINNEAPOLIS-HONEYWELL REGULATOR COMPANY
BRIDGEPORT, ILLINOIS

FED. MFR. CODE 91929

ACTUATOR-SWITCH

CATALOG LISTING

JE-6

SKETCH 16061
ISSUE 1

JE-6

M

DRAWING
NUMBER

ISSUE

1

REPLACES

RELEASE NO. SR 7022

CHECK 9 Oct. '57

CHECK

REVISIONS

CNT 9 Oct. '57

CHECK

GCH 10 Oct. '57

CHECK

CNT 7 Oct. '57

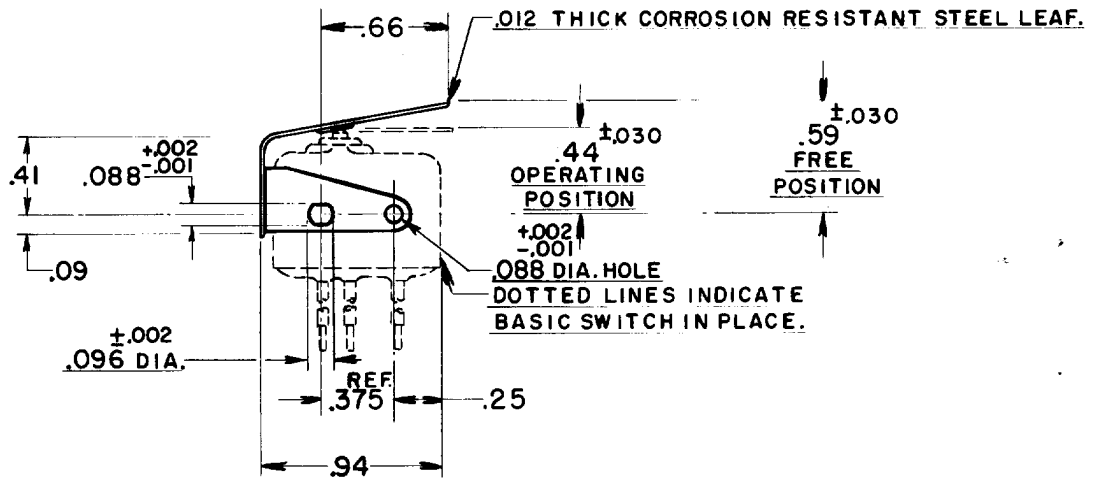
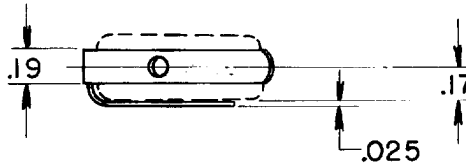
CHECK

R.E.R.

7 OCT. '57

DRAWN

FO-50378



THIS DRAWING COVERS A PROPRIETARY ITEM AND IS THE PROPERTY OF MICRO SWITCH, A DIVISION OF HONEYWELL. THIS DRAWING IS NOT TO BE COPIED OR USED WITHOUT THE APPROVAL OF MICRO SWITCH.

CHARACTERISTICS WITH ISEI BASIC SWITCH INSTALLED

OPERATING FORCE ----- 12 OZ. MAX.
 RELEASE FORCE ----- 2 OZ. MIN.
 DIFFERENTIAL TRAVEL ----- .025 MAX.
 OVERTRAVEL ----- .015 MIN.

ELECTRICAL DATA

CONTACT ARRANGEMENT

BREAK DISTANCE

SCALE FULL

DO NOT SCALE PRINT

UNLESS OTHERWISE SPECIFIED

DIMENSIONS ARE IN INCHES

TOLERANCES ARE:

ONE PLACE (.0) ±.030
 TWO PLACE (.00) ±.015
 THREE PLACE (.000) ±.005
 ANGLES ±

WEIGHT