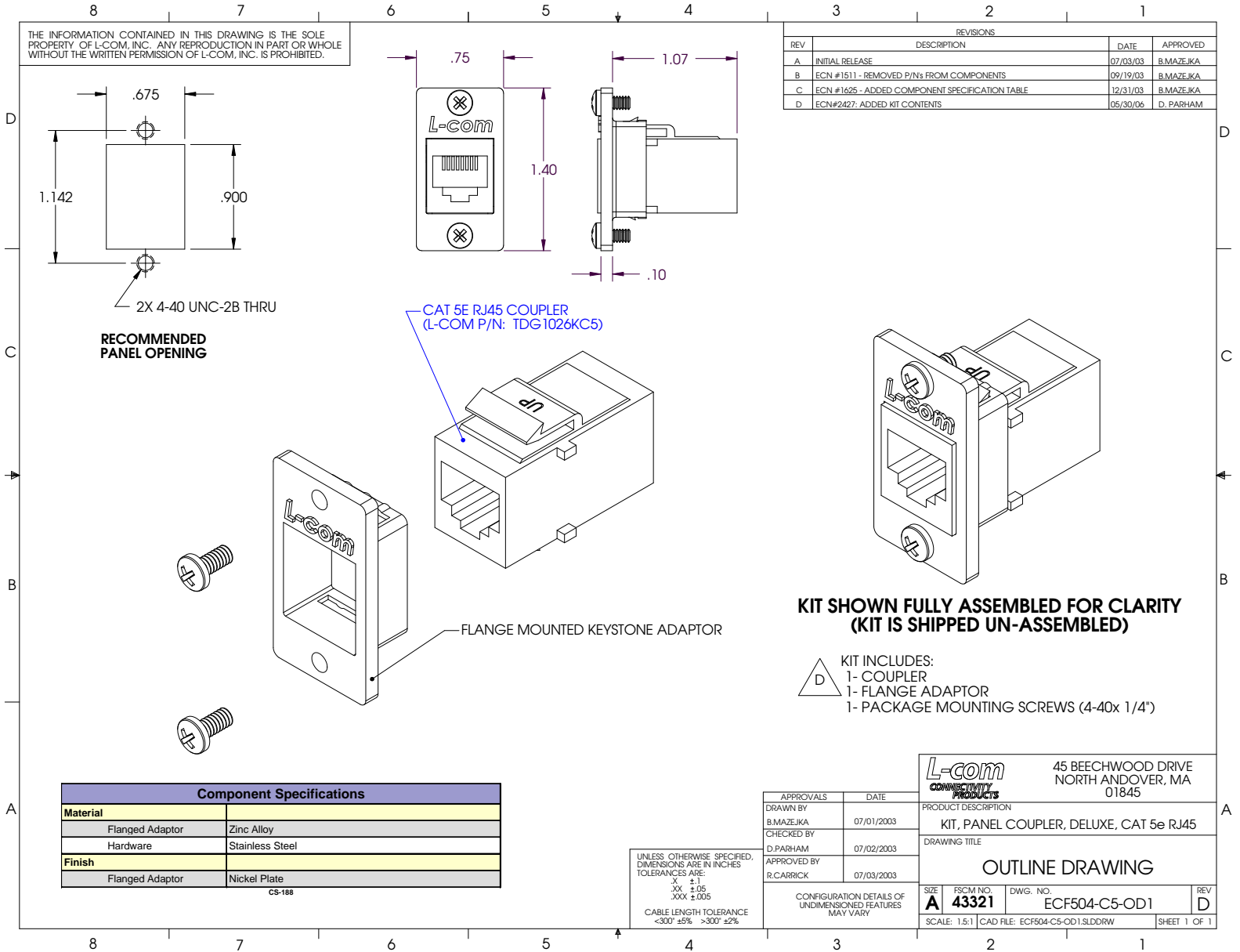


THE INFORMATION CONTAINED IN THIS DRAWING IS THE SOLE PROPERTY OF L-COM, INC. ANY REPRODUCTION IN PART OR WHOLE WITHOUT THE WRITTEN PERMISSION OF L-COM, INC. IS PROHIBITED.

REVISIONS			
REV	DESCRIPTION	DATE	APPROVED
A	INITIAL RELEASE	07/03/03	B.MAZEJKA
B	ECN #1511 - REMOVED P/Ns FROM COMPONENTS	09/19/03	B.MAZEJKA
C	ECN #1625 - ADDED COMPONENT SPECIFICATION TABLE	12/31/03	B.MAZEJKA
D	ECN#2427: ADDED KIT CONTENTS	05/30/06	D. PARHAM



**KIT SHOWN FULLY ASSEMBLED FOR CLARITY  
(KIT IS SHIPPED UN-ASSEMBLED)**

- △ D KIT INCLUDES:**  
 1- COUPLER  
 1- FLANGE ADAPTOR  
 1- PACKAGE MOUNTING SCREWS (4-40x 1/4")

Component Specifications	
<b>Material</b>	
Flanged Adaptor	Zinc Alloy
Hardware	Stainless Steel
<b>Finish</b>	
Flanged Adaptor	Nickel Plate

CS-188

UNLESS OTHERWISE SPECIFIED,  
 DIMENSIONS ARE IN INCHES  
 TOLERANCES ARE:  
 X ±.1  
 .XX ±.05  
 .XXX ±.005  
 CABLE LENGTH TOLERANCE  
 <300' ±5% >300' ±2%

APPROVALS		DATE	 45 BEECHWOOD DRIVE NORTH ANDOVER, MA 01845
DRAWN BY	B.MAZEJKA	07/01/2003	
CHECKED BY	D.PARHAM	07/02/2003	
APPROVED BY	R.CARRICK	07/03/2003	
PRODUCT DESCRIPTION KIT, PANEL COUPLER, DELUXE, CAT 5e RJ45			DRAWING TITLE <b>OUTLINE DRAWING</b>
CONFIGURATION DETAILS OF UNDIMENSIONED FEATURES MAY VARY			
SIZE	<b>A</b>	FSCM NO. <b>43321</b>	DWG. NO. ECF504-C5-OD1
SCALE: 1.5:1		CAD FILE: ECF504-C5-OD1.SLDDRW	REV <b>D</b>
			SHEET 1 OF 1