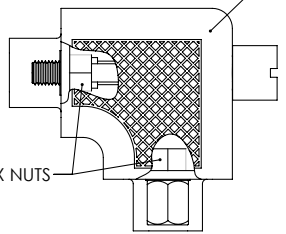
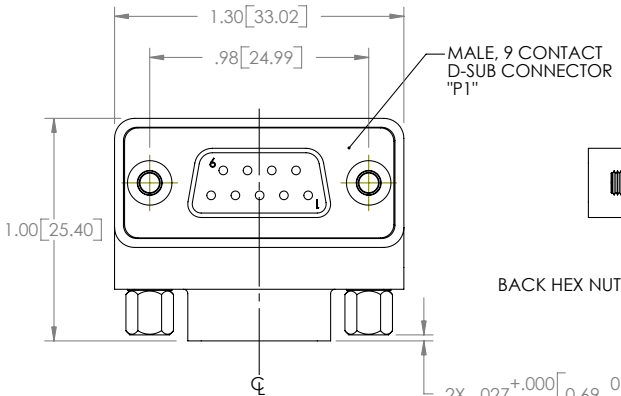


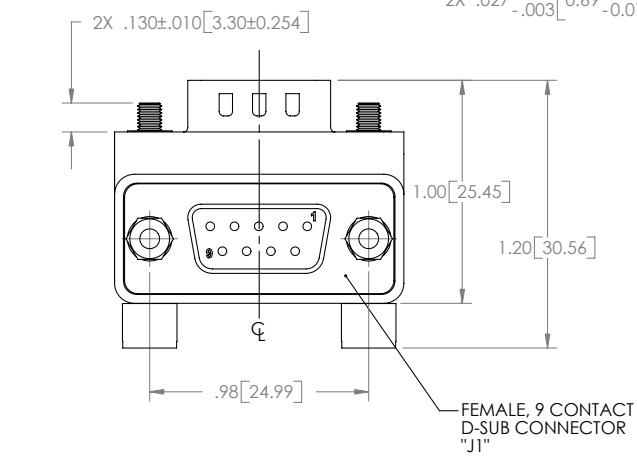
THE INFORMATION CONTAINED IN THIS DRAWING IS THE SOLE PROPERTY OF L-COM, INC. ANY REPRODUCTION IN PART OR WHOLE WITHOUT THE WRITTEN PERMISSION OF L-COM, INC. IS PROHIBITED.

RoHS Compliant ✓

REVISIONS			
REV	DESCRIPTION	DATE	CHANGED BY
A	INITIAL RELEASE	04/01/05	M.LAHEY
B	ECN# 2731 - ADDED ROHS STAMP	10/23/07	D.GRIFFIN



WIRING MAP	
P1	J1
1	1
2	2
3	3
4	4
5	5
6	6
7	7
8	8
9	9
SHELL	SHELL



NOTE:
1. PRODUCT SHIPPED WITH HARDWARE CONFIGURED AS SHOWN ABOVE.

UNLESS OTHERWISE SPECIFIED, DIMENSIONS ARE IN INCHES [mm] TOLERANCES TO BE: .X ±.1 [2.5] .XX ±.01 [25] .XXX ±.005 [1.3] OVERALL CABLE LENGTH TOL: ≤ 60 [1524] +3 [76.2] / -0 > 60 [1524] +5% / -0%	APPROVALS	DATE
	DRAWN BY M.LAHEY	04/01/05
	CHECKED BY C.McCORMICK	04/01/05
	APPROVED BY D.PARHAM	04/01/05
PROJ	CONFIGURATION DETAILS OF UNDIMENSIONED FEATURES MAY VARY	

L-com 45 BEECHWOOD DRIVE
NORTH ANDOVER, MA 01845

CONNECTIVITY PRODUCTS

CATEGORY: DATA CABLING

PRODUCT DESCRIPTION: DB9 MALE / DB9 FEMALE RIGHT ANGLE ADAPTER

SIZE: **A** FSCM NO: 43321 DWG. NO. DG909MF1 REV. B

SCALE: NONE CAD FILE: DG909MF1.SLDDRW SHEET 1 OF 1