

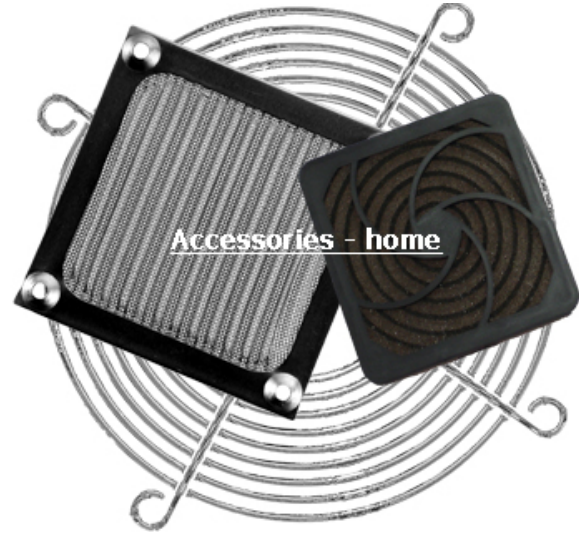


ORION FANS

Standard and Custom Cooling Solutions with JIT Delivery Worldwide

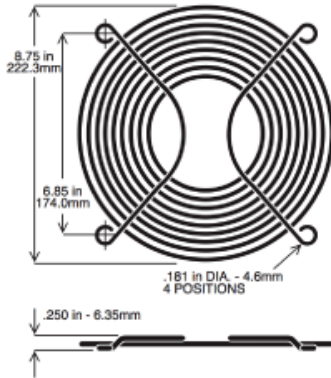
Select a Fan Size (below) to view accessory items **Matching Orion Fans Series**

25mm (1.0")	OD2510
40mm (1.57")	OD4010, OD4018, OD4020, OD4028
52mm (2.05")	OD5010, OD5210
60mm (2.36")	OD6010, OD6015, OD6020, OD6025, OA60
80mm (3.15")	OD8015, OD8020, OD8025, OA825, OA80
92mm (3.62")	OD9220, OD9225, OA92, OA938
120mm (4.7")	OD1225, OD1238, OA125, OA109, OA4715
127mm (5.0")	OD127, OA119
172mm (6.7")	OD172, OA162, OA172, OA5920
180mm (7.0")	OD180, OA180
254mm (10.0")	OD254, OA254



Part Nos.: G254-10 and G254-10P
254mm - Steel Wire Guards

254mm (10.0")

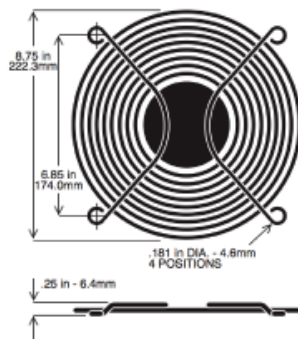


Matching Fan Series:
OA254,
OD254

Open Center Ring

Part No.:	G254-10
Material:	C1008 Steel
Wire Dia (Ring):	2.3mm
Wire Dia (Rib):	2.3mm
Ring Spacing:	Meets 6.35mm plug gauge test
Separation Force:	220 lbs. on welds
Fits:	254mm fans
Plating:	Bright Nickel Chrome
Options:	Additional plating materials are available by special order.

254mm (10.0")



Matching Fan Series:
OA254,
OD254

Solid center plate

Part No.:	G254-10P
Material:	C1008 Steel
Wire Dia (Ring):	2.3mm
Wire Dia (Rib):	2.3mm
Ring Spacing:	Meets 6.35mm plug gauge test
Separation Force:	220 lbs. on welds
Fits:	254mm fans
Plating:	Bright Nickel Chrome
Options:	Additional plating materials are available by special order.