



Hobbs DC Hour Meters

85000 Series

The **85000 Series** provides legendary Hobbs performance and reliability in a technically advanced quartz package. The Quartz Plus features a highly reliable drive mechanism, an improved odometer gear train, and a snap-together integrated chassis. The chassis fits into a shockproof, totally-sealed case made of an engineered plastic that is impervious to acids and solvents.

To ensure our high standards of quality, all parts are in-process inspected. Every Quartz Plus meter must pass 100% function, burn-in, and timing accuracy test before shipping. Because YOUR time matters, call Hobbs!

Specifications

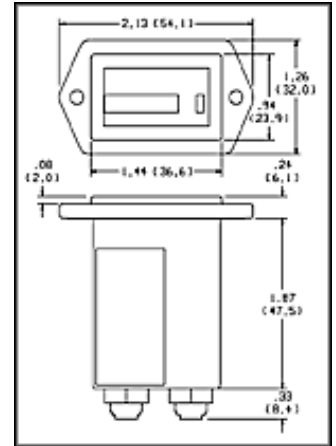
- 10,000 hour version standard, with automatic recycle to zero
- Temperature range:
 - 40° F to +185° F
 - 40° C to +85° C
- Quartz accuracy: ±200ppm, ±0.02% (entire voltage and temperature range)
- Operating voltage range: 5-110 VDC (Voltage range covered by 85000 Series line)
- Precision built relay driven odometer
- Excellent vibration & shock resistance: Vibration: 20 g's @ 10-80Hz (SAE J1378) 10 g's (per MIL-M-3971) Shock: 55 g's @ 9-13msec (SAE J1378) 75 g's (per MIL-M-3971)
- Transient Voltage Protection Alternator load dump: 150V EMI (Electromagnetic Interference): +400V @ 500Hz Inductive switching and reverse polarity
- Standard terminals: 1/4" male blade
- Lens material: Glass
- Case material: Polyester
- Number size: 0.12" (3mm)



2 Screw

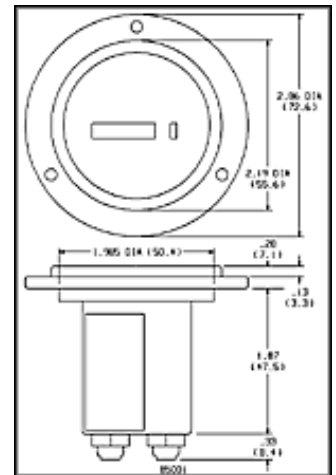
Operating Voltage	Part #
6.5 - 16 VDC	85331
10-32 VDC	85000
10-80 VDC	85094
30-110 VDC	85013

Quartz Plus DC Hour Meters



3 Screw

Operating Voltage	Part #
10-32 VDC	85001
10-80 VDC	85097
30-110 VDC	85014

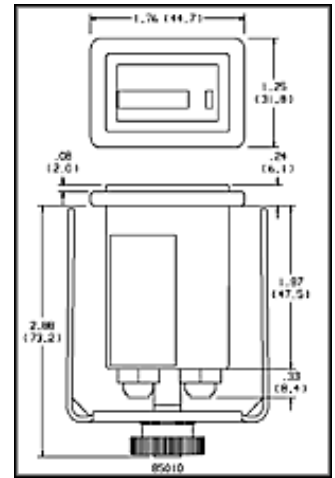


Rectangular Stirrup

Operating Voltage	Part #
10-32 VDC	85010
30-110 VDC	85023

Features

- Custom CMOS integrated circuit
- Indicates operating time in hours and tenths, plus has a running indicator
- Totally-sealed
- Battery system voltages: 6,12,24,36,48,60,72,and 80 VDC
- UL Recognized (File number AU1774)
- CSA Certified (File number LR42455-12)
- Conforms to MIL-M-3971



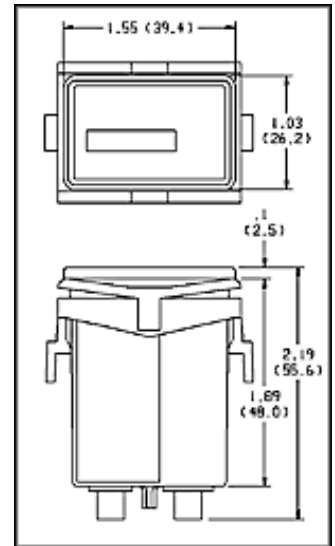
Options:

Custom logos, polycarbonate lenses, and various bezels. Wire, stud, blade, and screw terminals. 100,000 hour, R-Terminal and filtered versions available too.



Retainer Mount

Operating Voltage	Part #
10-32 VDC	82001
10-80 VDC	82320



* Panel cutout dimensions are $\pm .010$ tolerance
All dimensions shown in inches and (metric)