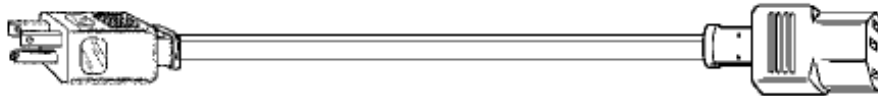



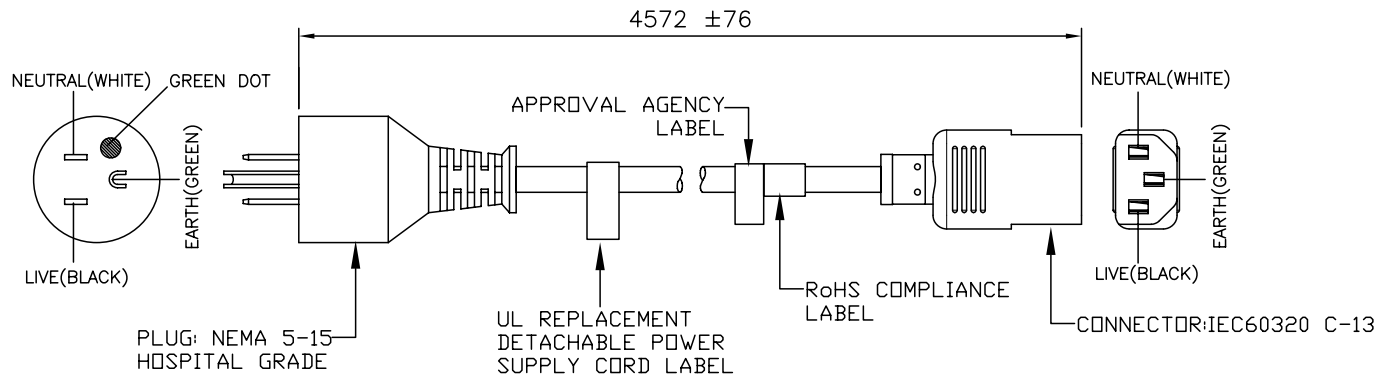
VOLEX

GROUP

Standard Cord Details: 17966 8 S15



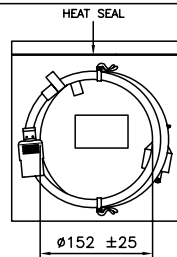
| Specifications | |
|-----------------------------------|---|
| Certifications |  |
| Part Number | 17966 8 S15 |
| Connector Type | C13 |
| Plug Type | 5-15P |
| Category | Plastic |
| Application | Medical |
| Plug Catalog No. | PS206 |
| Connector Catalog No. | 386A |
| Cable | SJT AWG 16x3 |
| Jacket Color | Gray |
| Length in Feet | 15' |
| Length in Meters | 4.6 |
| Temperature Rating | 60C |
| Packaging Units Per Carton | S-15 |
| Color Coding | North America |
| Nominal OD in Inches | 0.34 |
| Nominal OD in Millimeters | 8.6 |
| Notes | Same as 17020A except 15ft & 16 AWG. Medical Cord. |



VOLEX RESERVES THE RIGHT TO ALTER NON-CRITICAL DIMENSIONS WITHOUT NOTICE.

- NOTES:
- 1) CORDAGE: 16/3 SJT, 60°C, GRAY
 - 2) APPROVALS: UL/CSA DETACHABLE POWER SUPPLY CORD.
 - 3) RATING: 13 AMP/125 VOLTS
 - 4) FLAME RATING : FT2
 - 5) GREEN DOT WILL APPEAR ON PLUG TO INDICATE HOSPITAL GRADE APPROVAL FOR PLUG.
 - 6) PACKAGING: 30 BAGS/CARTON
 - 7) ALL DIMENSIONS IN MILLIMETERS UNLESS OTHERWISE NOTED.

PACKAGING: COIL & BAG



| REV | DESCRIPTION | DATE |
|-----|---|----------|
| 2 | REDRAWN TO SHOW CHINESE MANUFACTURED CORD | 12/10/07 |
| 1 | C.U.D - NEW RELEASE | 5/9/05 |



FORM IN71-07 REV.A

- Indianapolis, IN
- Conover, N.C.
- Freemont, CA
- Aguascalientes, MX
- Tijuana, Mexico
- Hermosillo, MX
- Clinton, AR
- Kanata, Canada

Proprietary Notice:

This document is the property of Volex Incorporated. The information contained herein is not to be disclosed to anyone without the express written consent of Volex Inc.

MATERIAL:
PLUG: PVC, CLEAR
CONNECTOR: PVC, GRAY
JACKET: PVC, GRAY

FINISH:
JACKET: SMOOTH

SCALE:
NOT TO SCALE

ECD:
N/A

ITEM DESCRIPTION
CORDSET - NORTH AMERICAN
DETACHABLE POWER SUPPLY CORD (15')

TOLERANCE UNLESS OTHERWISE SPECIFIED
.XXX ± .005
.XX ± .02
.X ± .03
FRACT. ± 1/32
ANGULAR ± 1/2°

| | | |
|----------|----------|--------|
| APPROVED | DRAWN BY | DATE: |
| | STC | 5/9/05 |

PART NO. 17966 8 S15