

22mm Non-Illuminated Metal Selector Switch Operators



Certified for
NEMA Type 4X
12 environment.

Key Selector

with mounting bracket



Other key combinations and colors are available on request.
All keys are "keyed alike". Different keys are available on request.

| Color | Description | Key Removal | Cat No. |
|-------|---------------|-------------|---------|
| Black | Maintained | Left/Right | 2AK2-01 |
| Black | Maintained | Left | 2AK2-02 |
| Black | Maintained | Right | 2AK2-03 |
| Black | Spring Return | Left | 2AK2-04 |
| Black | Maintained | Left/Right | 2AK2-05 |
| Black | Maintained | All | 2AK2-06 |
| Black | Maintained | Center | 2AK2-07 |
| Black | Spring Return | Center | 2AK2-08 |
| Black | Spring Return | Center | 2AK2-09 |
| Black | Spring Return | Center | 2AK2-10 |
| Black | Maintained | Left | 2AK2-11 |



Replacement Key

2KY455

Selector

with mounting bracket



Other colors are available on request.

| Color | Description | Cat No. |
|-------|---------------|---------|
| Black | Maintained | 2AS2-1 |
| Black | Spring Return | 2AS2-2 |
| Black | Maintained | 2AS2-3 |
| Black | Spring Return | 2AS2-4 |
| Black | Spring Return | 2AS2-5 |
| Black | Spring Return | 2AS2-6 |

Extended Selector

with mounting bracket



Other colors are available on request.

| Color | Description | Cat No. |
|-------|---------------|---------|
| Black | Maintained | 2AS2E-1 |
| Black | Spring Return | 2AS2E-2 |
| Black | Maintained | 2AS2E-3 |
| Black | Spring Return | 2AS2E-4 |
| Black | Spring Return | 2AS2E-5 |
| Black | Spring Return | 2AS2E-6 |

Switch Contacts

(sold separately)



Markings on Request



Altech Push Buttons are available in a variety of markings, including molded arrows. Please contact Altech for further information and part numbers.



- Heavy-duty contact blocks with mounting screws. Blocks can be stacked 2 blocks across by 3 blocks deep for a total of 6 circuits.
- Contact blocks are available with silver contacts or gold plated contacts
- Self-wiping contacts

Panel Mount

| | |
|-----------------------------|----|
| Normally Open Silver | S1 |
| Normally Closed Silver | S2 |
| Normally Open Gold Plated | S3 |
| Normally Closed Gold Plated | S4 |

Base Mount*

| | |
|-----------------------------|----|
| Normally Open Silver | S5 |
| Normally Closed Silver | S6 |
| Normally Open Gold Plated | S7 |
| Normally Closed Gold Plated | S8 |

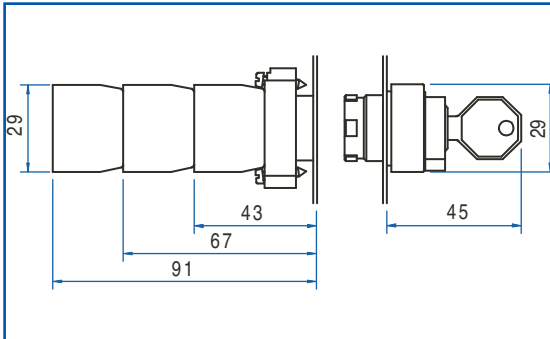
* For use with non-illuminated operators in thermoplastic or aluminum enclosures listed on pages 30 and 36-37.

22mm Non-Illuminated Metal Selector Switch Operators

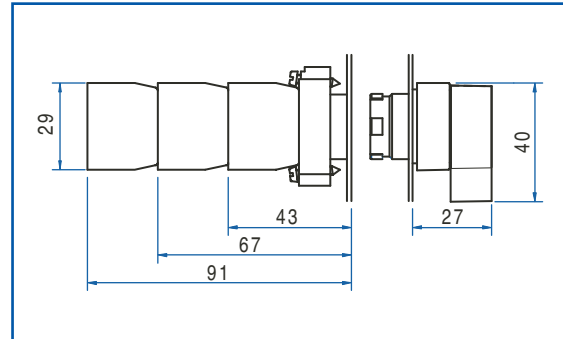
Dimensional Drawings

All dimensions shown in millimeters.
To convert to inches multiply by 0.03937

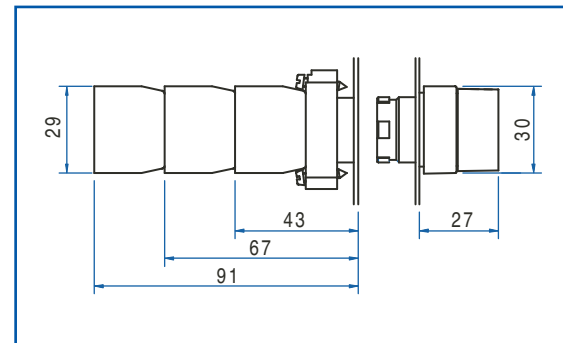
Key Selector



Extended Selector



Selector



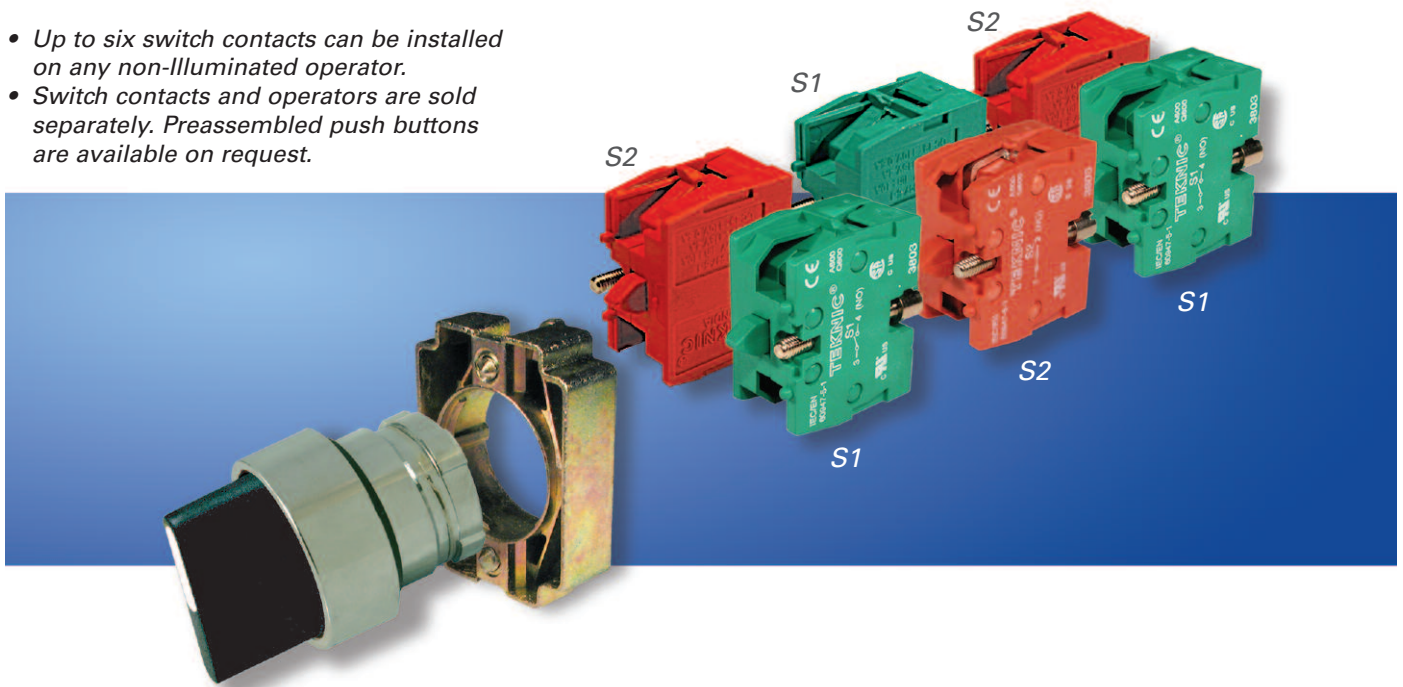
3 POSITION
SELECTOR SWITCH
CONTACT BLOCK GUIDE

| | | | CONTACTOR BLOCK GUIDE |
|--|--|--|--------------------------------|
| | | | 1 NO (left) |
| | | | 2 NC in series (side x side) |
| | | | 1 NO (right) |
| | | | 1 NC (right) |
| | | | 1 NC (left) |
| | | | 2 NO in parallel (side x side) |

(Left or right as seen from front of operator)

Exploded Assembly View

- Up to six switch contacts can be installed on any non-illuminated operator.
- Switch contacts and operators are sold separately. Preassembled push buttons are available on request.



22mm Specifications

Electrical and Mechanical Characteristics

| | |
|-----------------------|--|
| Standard conformity: | IEC 60947-5-1 |
| Approvals: | VDE0660 CSA - C22.2 No. 14-95 UL508 IEC 947 - 5 (1) 1990, IS 13947 ASTA UK certified as per IEC 947 - 5 - (1) 1990 |
| Degree of protection: | IP 65 as per IEC 529 NEMA Type 4X, 12 as per UL50 |
| Temperature Range: | - 25°C to + 70°C (-13°F to +158°F) |

Contact Block

| | |
|----------------------------|---|
| Rated voltage: | 600V AC /DC |
| Rated current: | 10A AC / 2.5A DC |
| Contact operation: | self-wiping, slow break NO or NC |
| UL508 rating (pilot duty): | |
| CSA - C22.2 No. 14-95: | A600: 10A; 600V AC Q600: 2.5A; 600V DC |
| Make and break capacity | |
| IEC 947 - 5 - (1) 1990: | AC 15 4A, 415V AC DC 13 0.5A, 110V DC |
| Terminal capacity: | minimum 20 AWG (0.5 mm ²) maximum 2x16 AWG (2 x 1.5 mm ²) or 14 AWG (2.5 mm ²) |
| Terminal marking: | 1-2 for NC, 3-4 for NO |
| Short circuit protection: | 10A cartridge fuse HRC type, rated for resistive loads |
| Mechanical life: | 1 million operations |

Modules for Pilot Lights & Illuminated Switches with LED Bulbs

| | |
|---|---|
| Current consumption (applicable to all colors) | |
| 24 VAC/DC, 100 VAC & 240 VAC: | max. 20 mA |
| 110 VDC: | max. 15 mA |
| 220 VDC: | max. 10 mA |
| Service life (at nominal voltage and at ambient temperature of 25°C): | 100,000 hours |
| Voltage limits (nominal voltage): | <20% of rated voltage> |
| Short circuit protection: | on specific request |
| Terminal capacity: | min. 1 x 0.5 mm ² (20 AWG), max. 2 x 1.5 mm ² (2x16 AWG) or 1 x 2.5 mm ² (1x14 AWG) |