

Mini Incandescents

T-2 Bulb

| Line No. | Part Number | Base Type | Design Volts | Design Amps | End Foot Candela | Filament Type | Rated Life | Fig No. | Foot Notes |
|----------|-------------|-----------|---------------|-------------|------------------|---------------|-----------------------|---------|--------------------|
| 1 | 120PSB | | Slide Base #5 | 120 | 0.025 | | CC-7A | 10,000 | 51 |

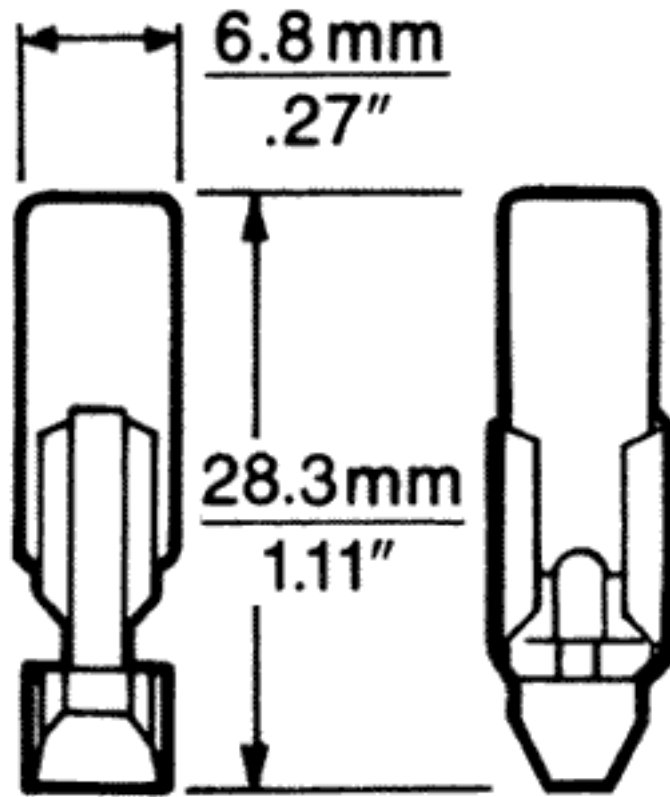


Fig. 51