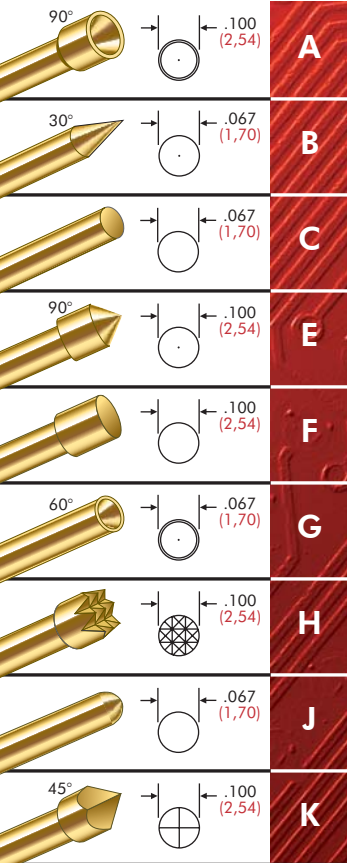


Series S SIZE 3 .125 CENTERS

BEcu PLUNGERS



PROBE SPECIFICATIONS

Minimum Centers: .125 (3,18)
 Current Rating: 5 amps continuous
 Spring Force: 4.0, or 7.0 oz. @ .170 (4,32) travel
 Contact Resistance: <20 mΩ
 Working Travel: .170 (4,32)

Rated Force oz (gms)	Preload oz (gms)
4.0 (113)	1.8 (51)
7.0 (198)	2.9 (82)

RECEPTACLE SPECIFICATIONS

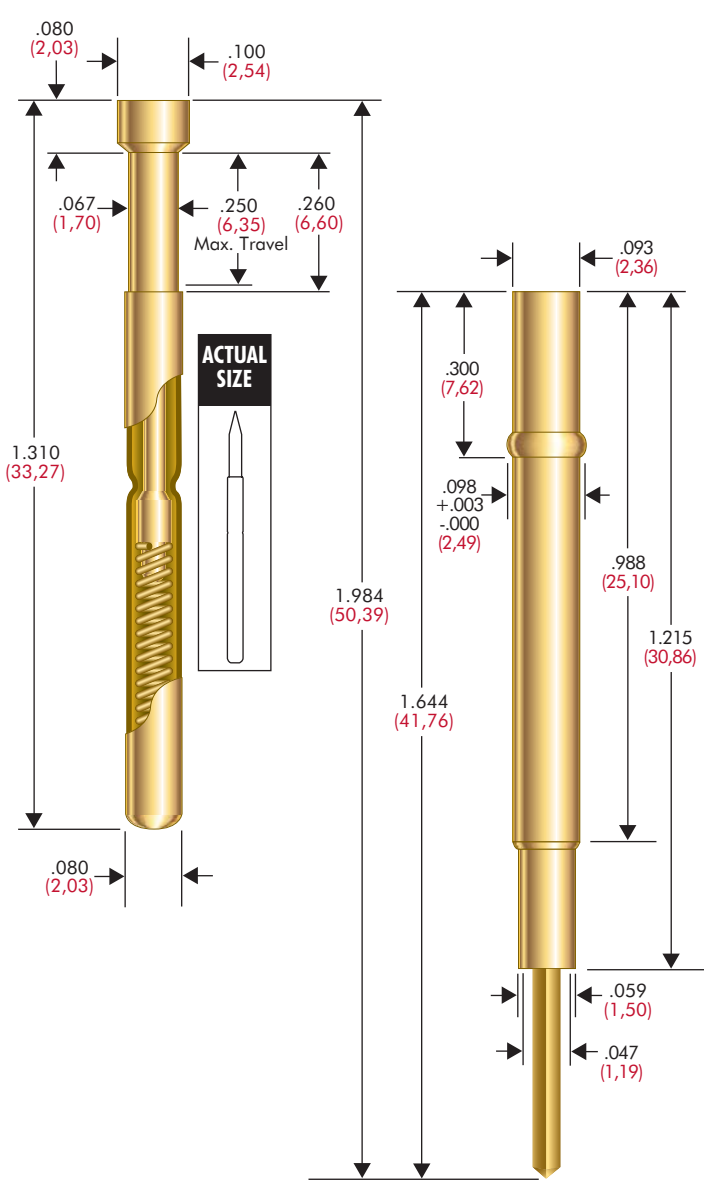
Connections:
 R-3-CR: Crimp
 R-3-SC: Solder Cup
 R-3-WW: Wire Wrap, .025 (0,64) square post, .429 (10,90) length

Recommended Wire:
 22-26 gage
Drill Size: #41
Mounting Hole Size:
 .094/.096 (2,39/2,44)

MATERIALS

Barrel: Nickel/silver, gold plated
 Spring: Stainless steel, gold plated
 Plunger: Full-hard beryllium copper, gold plated over nickel or optional Duralloy™
 Receptacle: Nickel/silver, gold plated, gold plated post

S 3 PROBE AND RECEPTACLE



HOW TO ORDER: SPRING CONTACT PROBE RECEPTACLE

S SERIES	3 SIZE	A TIP STYLE	4 SPRING FORCE	G PLATING OPTIONS	R SERIES	3 SIZE	WW TERMINATION	429 POST LENGTH	
SPRING FORCE: 4.0 oz. @ .170 (4,32) travel 7.0 oz. @ .170 (4,32) travel				PLATING OPTIONS: G: Gold Plated Plunger D: Duralloy™ Plated Plunger				TERMINATIONS: CR: Crimp SC: Solder Cup WW: Wire Wrap	
CRIMPING PLIERS: CP3 INSERTION TOOL: RT3									

View updates of this information at <http://www.idinet.com>

Specifications subject to change without notice. Dimensions in inches (millimeters)