

AC Series Tubeaxial Cooling Fans Model No. A47T15

4.69" Sq. x 1.50"
(119 mm Sq. x 38 mm)
46-102 CFM
(21.7-48.1 L/Sec.)



Features

- Reliable shaded-pole motor construction
- Precision ball bearing system provides:
 - Longer life
 - Higher temperature extremes
 - Lower noise over time
 - Maximum shock and vibration resistance
- Rugged die-cast aluminum housing for maximum heat dissipation

Accessories:

Finger guards
Power cords
Filters

General Specifications

Frame: Die-cast aluminum painted black for moisture and corrosion resistance

Impeller: Reinforced polybutylene plastic (UL94V-0 rating)

Bearings: Precision, life-lubricated ball bearings

Insulation: Class A integral ground system rated @ 248°F (120°C)

Weight: 19.4 ozs. (550 grams)

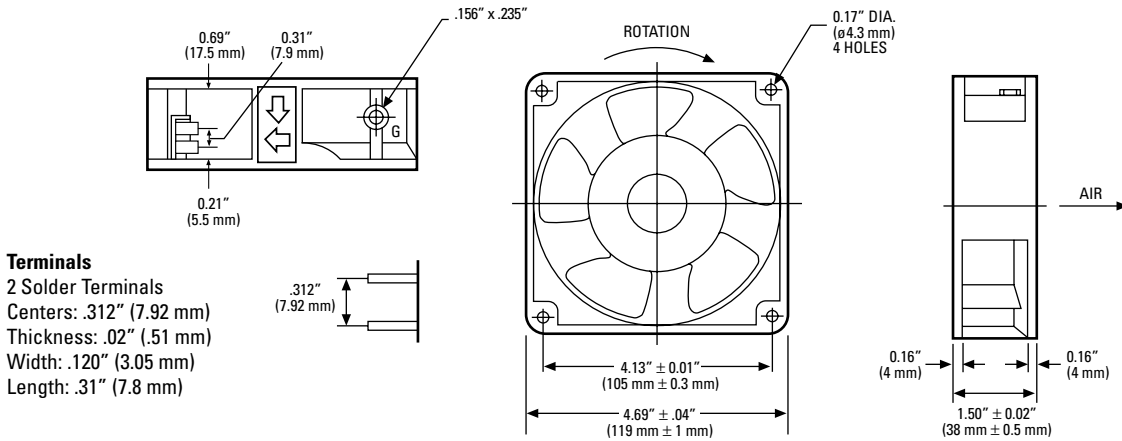
Operating Temperature Range: 14° to 158°F (-10° to 70°C)

Insulation Resistance: 100 megohms minimum @ 500 VDC

Dielectric Strength: 1500 VAC for 3 seconds

Safety Protection: Impedance protected

Life Expectancy: 50,000 hours minimum @ 77°F (25°C)

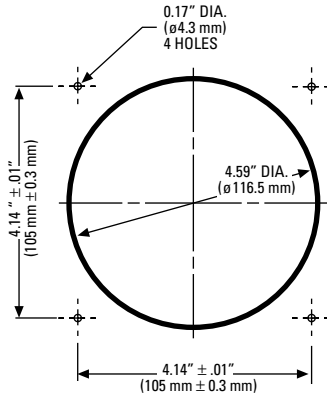


Terminals
2 Solder Terminals
Centers: .312" (7.92 mm)
Thickness: .02" (.51 mm)
Width: .120" (3.05 mm)
Length: .31" (7.8 mm)

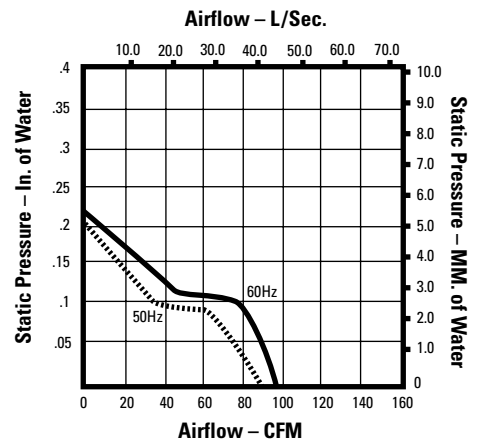
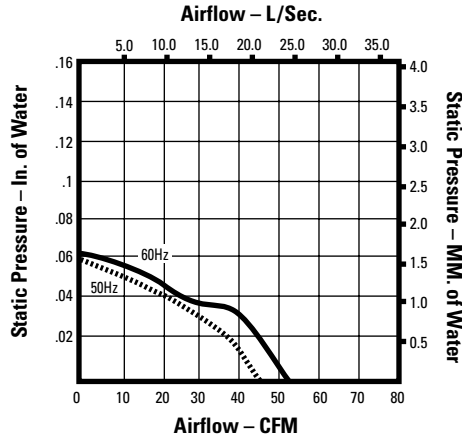
Globe Motors Part Number	Nominal Voltage VAC	Frequency Hz	Watts	Line Amps	RPM	Acoustic Noise dBA	Airflow (Min.)	
							CFM	Liters per Second
A47-B15A-15T1-100*	115	50 / 60	6.0 / 5.5	0.090 / 0.080	1350 / 1450	27 / 28	46 / 49	21.7 / 23.1
A47-B15A-15T2-100	115	50 / 60	11.0 / 10.0	0.160 / 0.140	2400 / 2600	34 / 37	81 / 88	38.2 / 41.5
A47-B15A-15T3-100	115	50 / 60	15.5 / 14.5	0.250 / 0.210	2600 / 2900	37 / 41	88 / 102	41.5 / 48.1
A47-B15A-23T1-100*	230	50 / 60	6.5 / 6.0	0.050 / 0.045	1350 / 1450	27 / 28	46 / 49	21.7 / 23.1
A47-B15A-23T2-100	230	50 / 60	12.0 / 11.0	0.100 / 0.080	2400 / 2600	34 / 37	81 / 88	38.2 / 41.5
A47-B15A-23T3-100	230	50 / 60	15.0 / 14.0	0.120 / 0.100	2600 / 2900	37 / 41	88 / 102	41.5 / 48.1

* Not CSA Approved

Installation Guide



Performance at Sea Level



Approvals



UL File No.
E105397



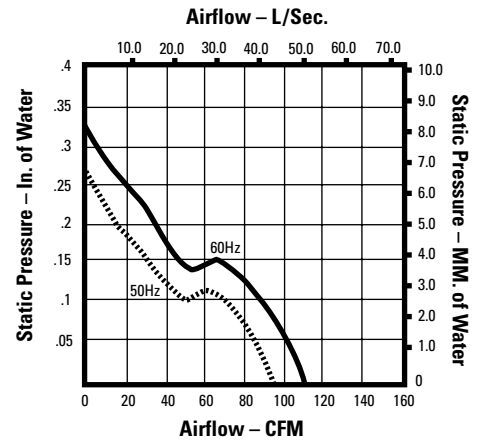
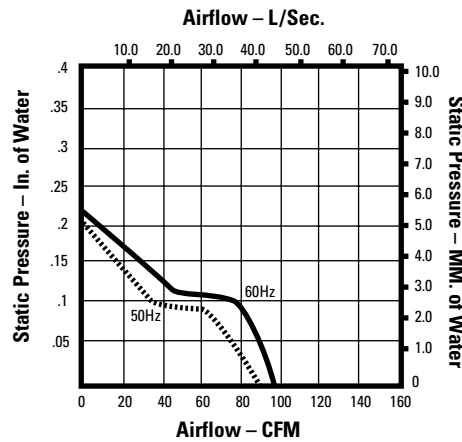
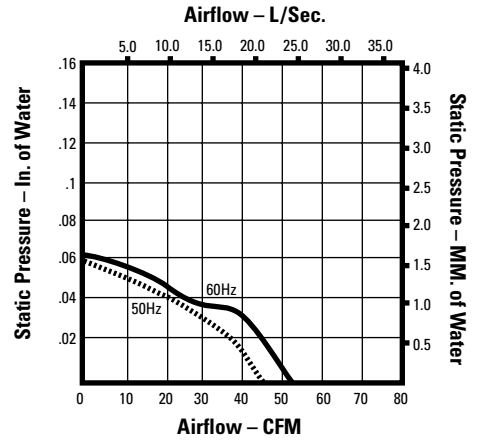
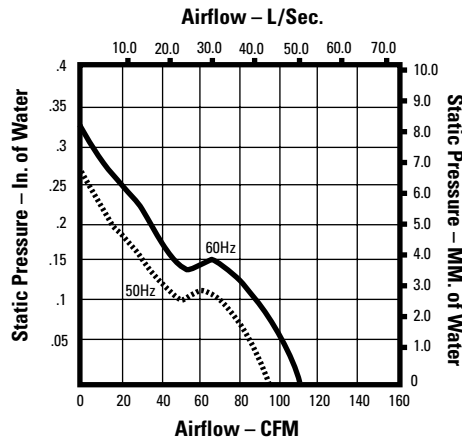
CSA File No.
72877



VDE File No.
17074-2611-0703



NOTES:



All operating specifications measured at nominal operating voltage, free air at sea level