

LITHIUM - User Replaceable

Developed first by Panasonic, packaged user replaceable lithium batteries offer high voltage and high energy density. They are available in two types: polycarbonmonofluoride and manganese dioxide (CFn/Li and MnO₂/Li).



Features:

- Consumer replaceable
- High safety and reliability
- High current pulse discharge capability
- Rapid discharge for strobes at 6 V
- Superior shelf life/minimal discharge
- Wide temperature range (-40°C ~ 70°C)
- Lightweight
- High energy density

Applications:

- Cameras
- Personal computers
- Memory back-up over a wide range of applications
- Other applications where ease of replacement is required



Our Lithium batteries are also known as Rapidflash™ Lithium Photocell Batteries in the consumer photography market.

Technical Data - User Replaceable Type

Model Number	Voltage (V)	Nominal Capacity (mAh)	Dimensions (mm)		Basic Battery Weight (g)
			External Diameter	Height	
CR123A	3	1,550*	17.0	34.2	17
CR2	3	850*	15.6	27.0	11
2CR5	6	1,400**	17	34	38
CR-P2	6	1,400**	19.5	35	37
CR-V3P	3	3,300*	29	14.5	39

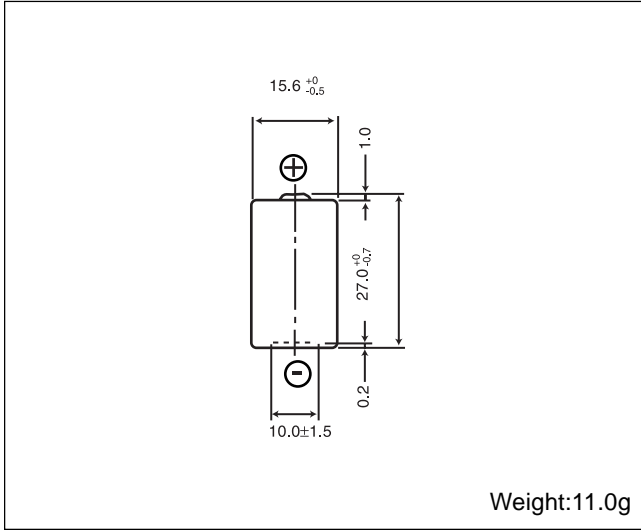
* Based on standard drain and cut off voltage down to 2.0V at 20°C

** Based on standard drain and cut off voltage down to 4.0V at 20°C

Manganese Dioxide Lithium Cylindrical Batteries: Individual Specifications

CR2

■ Dimensions(mm)

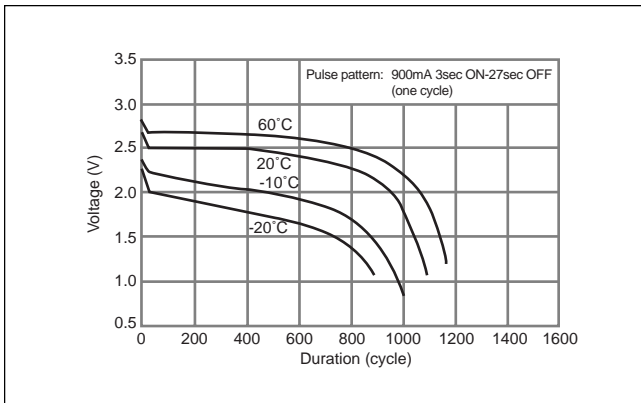


■ Specification

Nominal voltage (V)	3
Nominal capacity (mAh)	850
Continuous standard load (mA)	20
Operating temperature (C)	-40 ~ +70*

* Please consult Panasonic for use below and above -20°C to +60°C

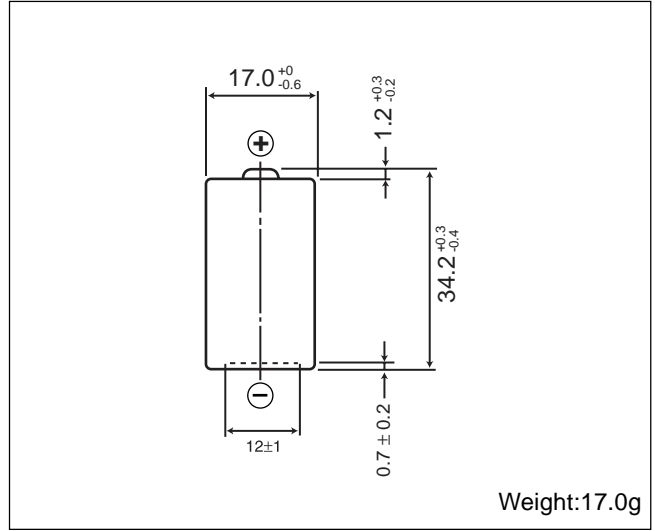
■ Temperature Characteristics



* Please consult Panasonic for use below and above -20°C to +60°C

CR123A

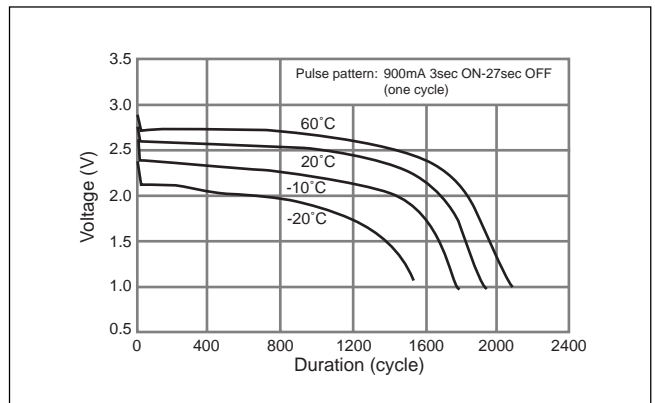
■ Dimensions(mm)



■ Specification

Nominal voltage (V)	3
Nominal capacity (mAh)	1,550
Continuous standard load (mA)	20
Operating temperature (C)	-40 ~ +70*

■ Temperature Characteristics



* Please consult Panasonic for use below and above -20°C to +60°C