



■ Features :

- Universal AC input / Full range
- 3 pole AC inlet IEC320-C14
- Class I power (with earth pin)
- Full output 5~48V safety approval
- Protections: Short circuit / Overload / Over voltage
- Fully enclosed plastic case
- PWM 3842 control circuit and regulated
- LED indicator for power on
- Approvals: UL / CUL / BSMI / CB / FCC
- 1 year warranty

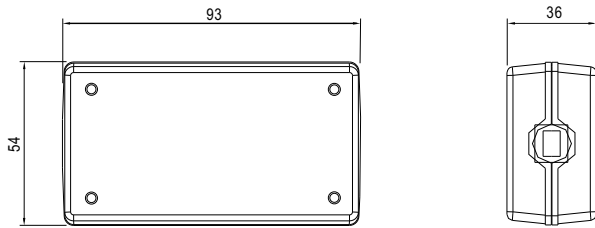
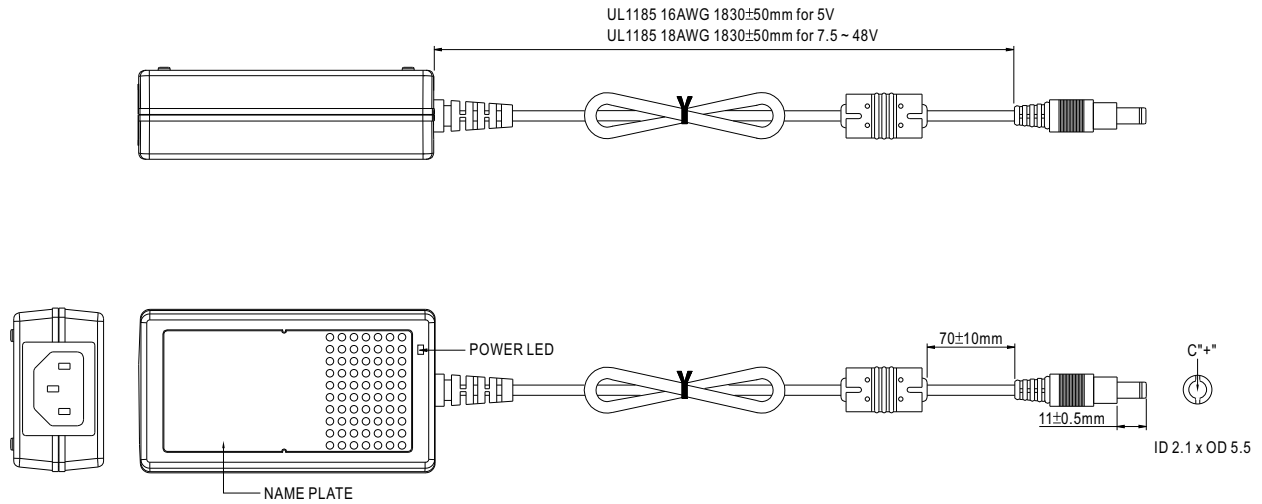


SPECIFICATION

ORDER NO.	ES25A05-P1J	ES25A07-P1J	ES25A09-P1J	ES25A12-P1J	ES25A15-P1J	ES25A18-P1J	ES25A24-P1J	ES25A28-P1J	ES25A36-P1J	ES25A48-P1J	
OUTPUT	SAFETY MODEL NO.										
	DC VOLTAGE	5V	7.5V	9V	12V	15V	18V	24V	28V	36V	48V
	RATED CURRENT	4.0A	2.93A	2.77A	2.08A	1.66A	1.38A	1.04A	0.89A	0.69A	0.52A
	CURRENT RANGE	0.4 ~ 4.0A	0.3 ~ 2.93A	0.2 ~ 2.77A	0.1 ~ 2.08A	0.1 ~ 1.66A	0.1 ~ 1.38A	0.1 ~ 1.04A	0.1 ~ 0.89A	0.06 ~ 0.69A	0.05 ~ 0.52A
	RATED POWER (max.)	20W	22W	25W	25W	25W	25W	25W	25W	25W	25W
	RIPPLE & NOISE (max.)	50mVp-p	80mVp-p	80mVp-p	80mVp-p	100mVp-p	150mVp-p	180mVp-p	240mVp-p	240mVp-p	240mVp-p
	VOLTAGE TOLERANCE	±5.0%	±5.0%	±5.0%	±3.0%	±3.0%	±3.0%	±2.0%	±2.0%	±2.0%	±2.0%
	LINE REGULATION	±1.0%	±1.0%	±1.0%	±1.0%	±1.0%	±1.0%	±1.0%	±1.0%	±1.0%	±1.0%
	LOAD REGULATION	±5.0%	±5.0%	±5.0%	±3.0%	±3.0%	±3.0%	±2.0%	±2.0%	±2.0%	±2.0%
	SETUP, RISE, HOLD UP TIME	600ms, 50ms, 16ms at full load									
INPUT	VOLTAGE RANGE										
	90 ~ 264VAC 135 ~ 370VDC										
	FREQUENCY RANGE										
	47 ~ 63Hz										
	EFFICIENCY (Typ.)										
	70% 72% 76% 76% 78% 80% 82% 82% 82% 82%										
PROTECTION	OVERLOAD										
	110 ~ 150% rated output power 130 ~ 180% rated output power										
	Protection type : Hiccup mode, recovers automatically after fault condition is removed										
OVER VOLTAGE											
105 ~ 135% rated output voltage											
Protection type : Recovers automatically after fault condition is removed											
ENVIRONMENT	WORKING TEMP.										
	0 ~ +50°C (Refer to output load derating curve)										
	WORKING HUMIDITY										
	20% ~ 90% RH non-condensing										
	STORAGE TEMP., HUMIDITY										
-20 ~ +85°C, 10 ~ 95% RH											
TEMP. COEFFICIENT											
±0.03% / °C (0~50°C)											
VIBRATION											
10 ~ 500Hz, 2G 10min./1cycle, period for 60min. each along X, Y, Z axes											
SAFETY & EMC (Note. 7)	SAFETY STANDARDS										
	UL60950-1, CSA C22.2, BSMI CNS14336 approved										
	WITHSTAND VOLTAGE										
	I/P-O/P:3KVAC, I/P-FG:1.5KVAC										
	ISOLATION RESISTANCE										
I/P-O/P, I/P-FG:100M Ohms / 500VDC / 25°C / 70% RH											
EMI CONDUCTION & RADIATION											
Compliance to EN55022 class B, FCC PART 15 / CISPR22 class B, CNS13438 class B											
HARMONIC CURRENT											
Compliance to EN61000-3-2,3											
EMS IMMUNITY											
Compliance to EN61000-4-2,3,4,5,6,11, light industry level, criteria A											
OTHERS	MTBF										
	500Khrs min. MIL-HDBK-217F(25°C)										
	DIMENSION										
93*54*36mm (L*W*H)											
CONNECTOR	PACKING										
	250g / 60pcs / 15kg / CARTON										
CONNECTOR	PLUG										
	Standard type P1J: 2.1φ * 5.5φ * 11mm, tuning fork type, center positive for stock ; Other type available by customer requested										
CONNECTOR	CABLE										
	Standard type UL1185 6ft (with ferrite core) for stock ; Other type available by customer requested										
NOTE	<p>1.All parameters are specified at 230VAC input, rated load, 25°C 70% RH ambient.</p> <p>2.DC voltage: The output voltage set at point measure by plug terminal & 50% load.</p> <p>3.Ripple & noise are measured at 20MHz by using a 12" twisted pair terminated with a 0.1uf & 47uf capacitor.</p> <p>4.Tolerance: includes set up tolerance, line regulation, load regulation.</p> <p>5.Line regulation is measured from low line to high line at rated load.</p> <p>6.Load regulation is measured from 20% to 100% rated load</p> <p>7.The power supply is considered as an independent unit, but the final equipment still need to re-confirm that the whole system complies with the EMC directives.</p>										

Mechanical Specification

Unit:mm

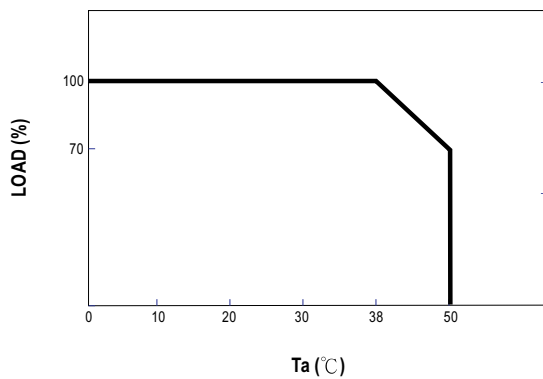


Plug Assignment

Standard plug: P1J (option)

P1J	
P/N	OUTPUT
CENTER	+

Derating Curve



Static Characteristics

