



- Features :
- Universal AC input / Full range
 - 2 pole AC inlet IEC320-C8
 - Class II power (without earth pin)
 - Full output 3~48V safety approval
 - Protections: Short circuit / Overload / Over voltage
 - Fully enclosed plastic case
 - RCC control circuit and regulated
 - LED indicator for power on
 - Approvals: UL / CUL / TUV / CB / FCC
 - 1 year warranty

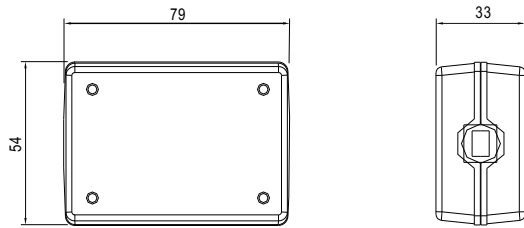
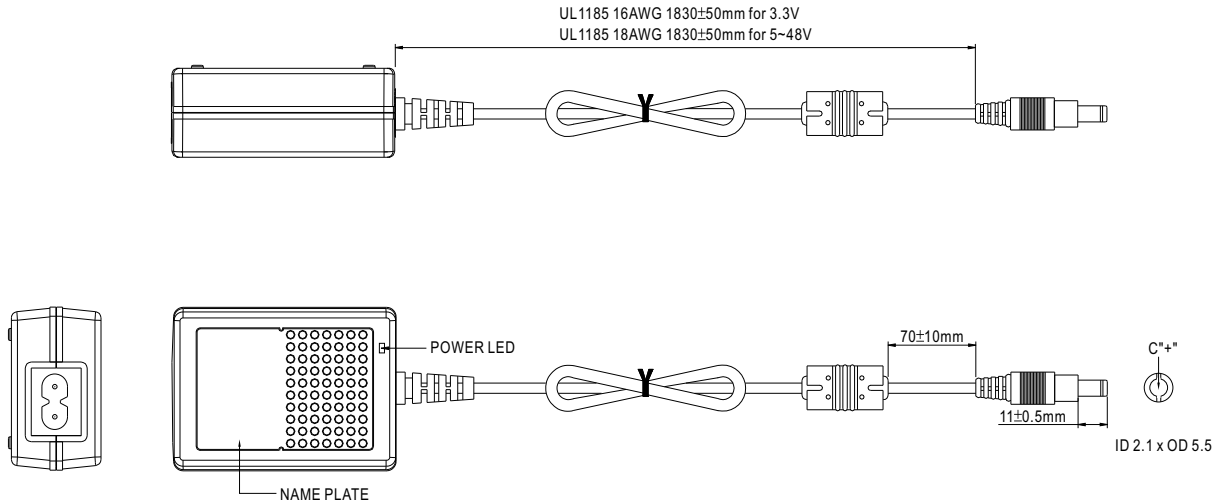


SPECIFICATION

ORDER NO.	ES18B03-P1J	ES18B05-P1J	ES18B07-P1J	ES18B09-P1J	ES18B12-P1J	ES18B15-P1J	ES18B18-P1J	ES18B24-P1J	ES18B28-P1J	ES18B48-P1J
SAFETY MODEL NO.	ES18B03-033	ES18B05-050	ES18B07-075	ES18B09-090	ES18B12-120	ES18B15-150	ES18B18-180	ES18B24-240	ES18B28-280	ES18B48-480
DC VOLTAGE <small>Note.2</small>	3.3V	5V	7.5V	9V	12V	15V	18V	24V	28V	48V
RATED CURRENT	2.72A	3.0A	2.0A	2.0A	1.50A	1.20A	1.0A	0.75A	0.64A	0.375A
CURRENT RANGE	0.3 ~ 2.72A	0.3 ~ 3.0A	0.3 ~ 2.0A	0.2 ~ 2.0A	0.15 ~ 1.50A	0.1 ~ 1.20A	0.1 ~ 1.0A	0.1 ~ 0.75A	0.06 ~ 0.64A	0.05 ~ 0.375A
RATED POWER (max.)	9W	15W	15W	18W	18W	18W	18W	18W	18W	18W
RIPPLE & NOISE (max.) <small>Note.3</small>	50mVp-p	50mVp-p	80mVp-p	80mVp-p	80mVp-p	100mVp-p	150mVp-p	180mVp-p	240mVp-p	240mVp-p
VOLTAGE ADJ. RANGE	Fixed									
VOLTAGE TOLERANCE <small>Note.4</small>	±5.0%	±5.0%	±5.0%	±5.0%	±3.0%	±3.0%	±3.0%	±2.0%	±2.0%	±2.0%
LINE REGULATION <small>Note.5</small>	±1.0%	±1.0%	±1.0%	±1.0%	±1.0%	±1.0%	±1.0%	±1.0%	±1.0%	±1.0%
LOAD REGULATION <small>Note.6</small>	±5.0%	±5.0%	±5.0%	±5.0%	±3.0%	±3.0%	±3.0%	±2.0%	±2.0%	±2.0%
SETUP, RISE, HOLD UP TIME	300ms, 100ms, 16ms at full load									
VOLTAGE RANGE	90 ~ 264VAC 135 ~ 370VDC									
FREQUENCY RANGE	47 ~ 63Hz									
EFFICIENCY (Typ.)	55%	70%	72%	72%	74%	77%	78%	80%	81%	82%
AC CURRENT	0.5A / 100VAC									
INRUSH CURRENT (max.)	40A / 230VAC									
LEAKAGE CURRENT(max.)	0.25mA / 240VAC									
OVERLOAD	110 ~ 200% rated output power					130 ~ 350% rated output power				
	Protection type : Hiccup mode, recovers automatically after fault condition is removed									
OVER VOLTAGE	105 ~ 135% rated output voltage									
	Protection type : Clamp by zener diode, output short									
WORKING TEMP.	0 ~ +50°C (Refer to output load derating curve)									
WORKING HUMIDITY	20% ~ 90% RH non-condensing									
STORAGE TEMP., HUMIDITY	-20 ~ +85°C, 10 ~ 95% RH									
TEMP. COEFFICIENT	±0.03% / °C (0 ~ 50°C)									
VIBRATION	10 ~ 500Hz, 2G 10min./1cycle, period for 60min. each along X, Y, Z axes									
SAFETY STANDARDS	UL60950-1, CSA C22.2, TUV EN60950-1 approved									
WITHSTAND VOLTAGE	I/P-O/P:3KVAC									
ISOLATION RESISTANCE	I/P-O/P:100M Ohms / 500VDC / 25°C / 70% RH									
EMI CONDUCTION & RADIATION	Compliance to EN55022 class B, FCC PART 15 / CISPR22 class B									
HARMONIC CURRENT	Compliance to EN61000-3-2,3									
EMS IMMUNITY	Compliance to EN61000-4-2,3,4,5,6,8,11, light industry level, criteria A									
MTBF	500Khrs min. MIL-HDBK-217F(25°C)									
DIMENSION	79*54*33mm (L*W*H)									
PACKING	220g ; 60pcs / 13.5kg / CARTON									
PLUG	Standard type P1J: 2.1φ * 5.5φ * 11mm, tuning fork type, center positive for stock ; Other type available by customer requested									
CABLE	Standard type UL1185 6ft (with ferrite core) for stock ; Other type available by customer requested									
NOTE	1.All parameters are specified at 230VAC input, rated load, 25°C 70% RH ambient. 2.DC voltage: The output voltage set at point measure by plug terminal & 50% load. 3.Ripple & noise are measured at 20MHz by using a 12" twisted pair terminated with a 0.1uf & 47uf capacitor. 4.Tolerance: includes set up tolerance, line regulation, load regulation. 5.Line regulation is measured from low line to high line at rated load. 6.Load regulation is measured from 20% to 100% rated load 7.The power supply is considered as an independent unit, but the final equipment still need to re-confirm that the whole system complies with the EMC directives.									

Mechanical Specification

Unit:mm

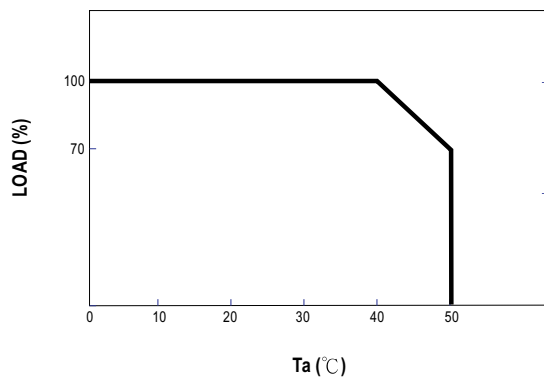


Plug Assignment

Standard plug: P1J (option)

P1J	
P/N	OUTPUT
CENTER	+

Derating Curve



Static Characteristics

