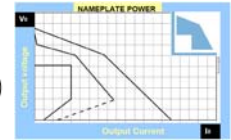




5.0 Watt – Unregulated Wall Plug PLA05A Linear Replacement



Features

- EISA Level IV Compliant
- 90 – 264 VAC Input Range
- High Efficiency
- Light Weight
- Lower Cost than Regulated
- Zero Minimum Load
- Double Insulated

Applications

- Wireless Communications
- Cordless Head Set
- Blue Tooth Device Charger
- Cell Phone

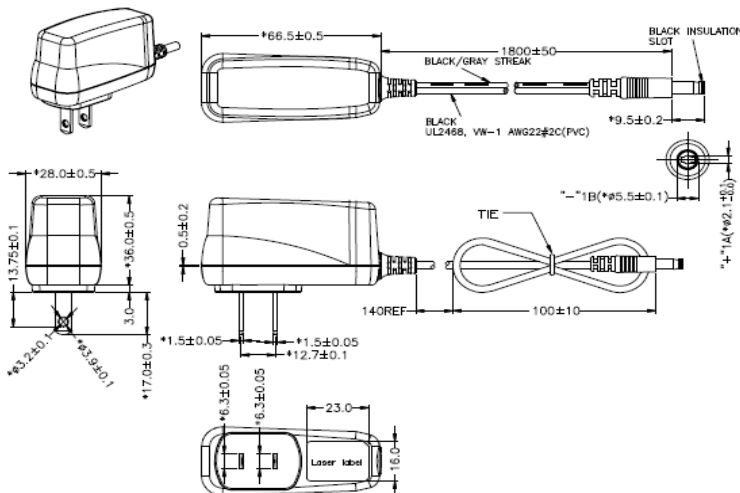
Safety Approvals

- UL / cUL 60950-1

Mechanical Characteristics

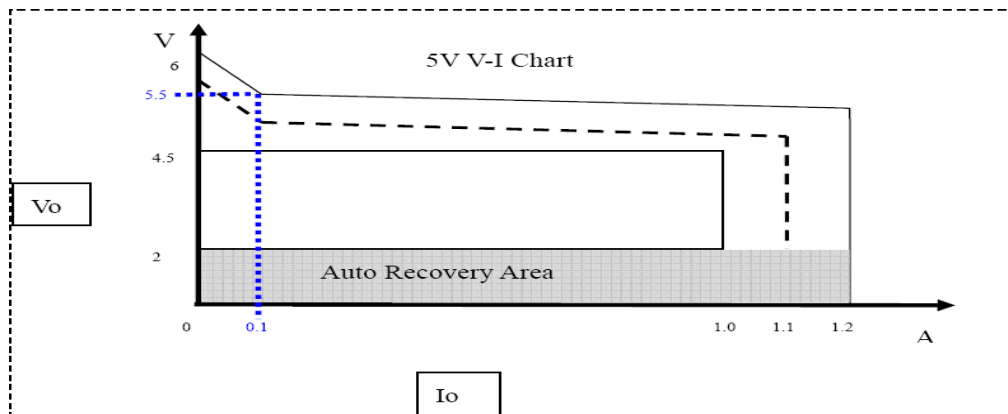
- Length: 66.5 mm (3.07 in)
- Width: 28 mm (1.26 in)
- Height: 36 mm (1.57 in)
- Weight: 70 g (2.47 oz)

Dimension Diagram Unit: mm (inch)

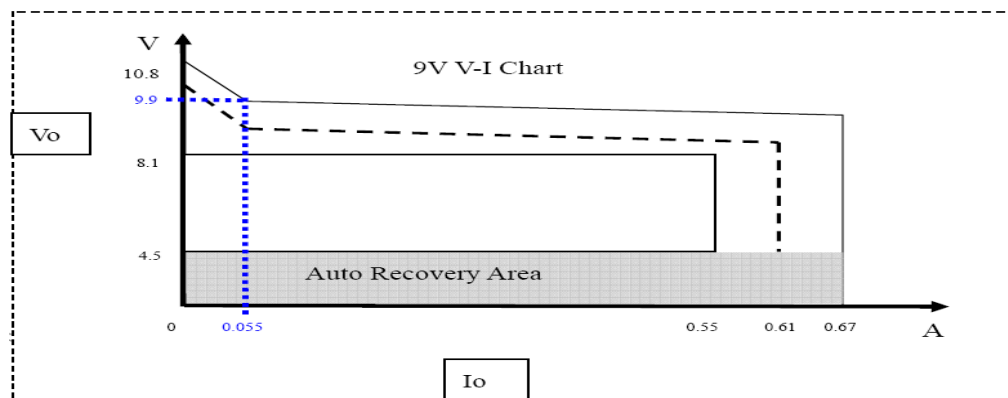


Model	Nameplate Voltage
PLA05A-050-R	5.0 V
PLA05A-090-R	9.0 V
PLA05A-120-R	12.0 V

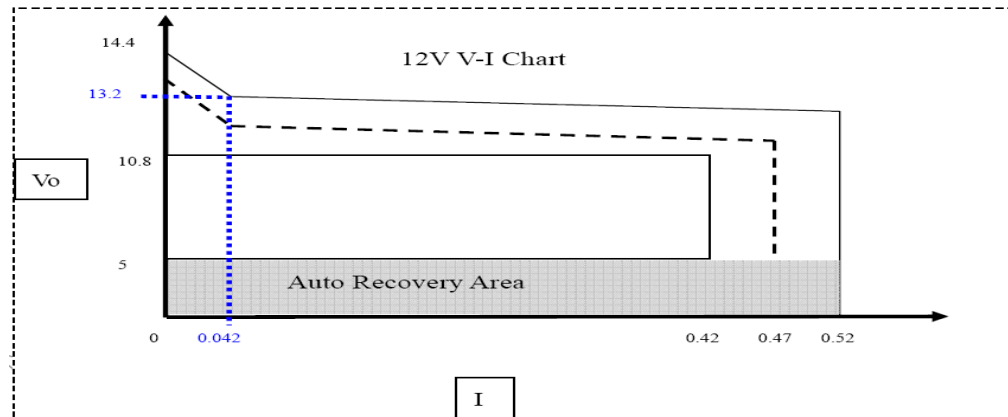
PLA05A-050-R



PLA05A-090-R



PLA05A-120-R



INPUT:**AC Input Voltage Range**

90 to 264VAC

AC Inrush Current

40A max @ 240VAC, 25°C

Input Power Saving

<0.3W max @ 120/240VAC, no load

California Energy Commission Compliant,
Level IV**Efficiency**

≥ 64.4%

OUTPUT:**Ripple (1)**

300 mVp-p

Over Voltage Protection

5VDC: OVP shall not exceed 9V Max

9VDC: OVP shall not exceed 16.2V Max

12VDC: OVP shall not exceed 21V Max

Hold-up Time

10 ms (min) @ 120VAC, Half Load

Short Circuit Protection

Auto Recovery

ENVIRONMENTAL:**Operation Temperature (Convection)**

0°C ~ 50°C

Storage Temperature

-40°C ~ 85°C

Humidity

90% RH Max

Emissions

FCC Class B

EN55022 class B

Note: (1) Measured after 10 minutes with by-pass capacitors 0.1uF / 10uF at output connector terminal and oscilloscope set at 20 MHz.

Phihong reserves the right to make changes without further notice. Please consult Phihong USA and visit www.phihong.com for the most up-to-date specifications.

Immunity

EN61000-4-2, Level 3

EN61000-4-5, Level 3

General**Leakage Current**

≤ 10 uA max

Dielectric Withstand (Hi-pot)

3KVAC, Primary to Secondary

MTBF (Full Load, 25°C)

100K Hrs. min. at max load, 25°C ambient and 120VAC

DC Output Connector

2.1 mm x 5.5 mm Center Positive

AC Input Clip

Fixed US blade