



Single Port 16W Power over Ethernet Wall Plug Adapter POE16R-560 Passive Power Injector with Interchangeable Clips



Features

- No Detection
- Non-Vented Case
- Field Interchangeable AC Clips
- 1 Year Warranty
- IEEE802.3af compliant
- Full Protection OCP, OVP
- Level V Efficient
- Lowest Cost

Applications

- IP Telephones
- Wireless Network Access Points
- Blue Tooth Access Points
- Security Cameras
- IP Print Servers

Safety Approvals

- cUL/UL
- C-Tick
- CE
- SAA

Mechanical Characteristics

- Length: 80mm (3.15in)
- Width: 45mm (1.77in)
- Height: 33mm (1.29in)
- Weight: 95g (3.35oz.)

Output Specifications

Model	DC Output Voltage	Load		Regulation		Output Power
		Min.	Max.	Line	Load	
POE16R-560	56V	0A	0.286A	±5%		16W

(1) Interchangeable AC clips sold separately

Phihong is not responsible for any error, and reserves the right to make changes without notice. Please visit our website at www.phihong.com for the most up-to-date specifications and contact information.

INPUT:

AC Input Voltage Range
90 to 264VAC

AC Input Voltage Rating
100 to 240VAC

AC Input Current
0.8A (RMS) maximum for 120VAC
0.5A (RMS) maximum for 240VAC

Leakage Current
0.25mA maximum @ 254VAC 60Hz

AC Input Frequency
47-63Hz

AC Inrush Current
60A (RMS) maximum for 240VAC

No Load Power Consumption
>0.3W

OUTPUT:

Total Output Power
16W

Ripple and Regulation
100mV maximum

Efficiency
>80% at maximum load, and 120VAC 60Hz
Meets Level V requirements

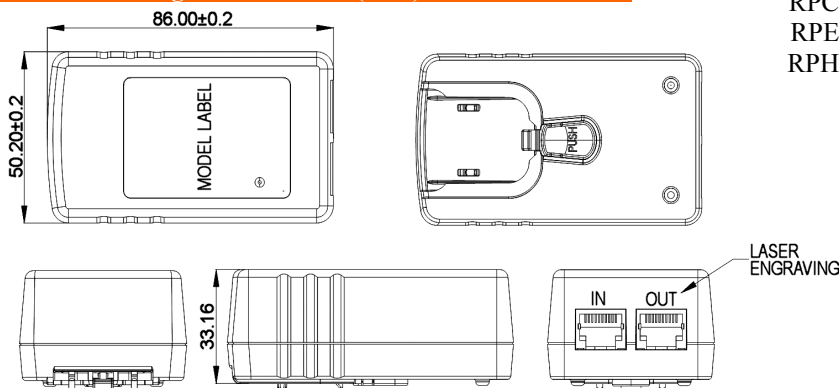
Hold-up time:
10mS minimum at maximum load and 120VAC, 60Hz

ENVIRONMENTAL:

Temperature

Operation	0 to +40°C
Non-operation	-25 to +65°C
Humidity	5 to 90%

Dimension Diagram Unit: mm (inch)



EMC

FCC Part 15 Class B
EN55022 Class B

Immunity EN50082-1

ESD:	EN61000-4-2.	Level 3
RS:	EN61000-4-3.	Level 2
EFT:	EN61000-4-4.	Level 2
Surge:	EN61000-4-5.	Level 3
CS:	EN61000-4-6.	Level 2
Voltage Dips	EN61000-4-11	
Harmonic:	EN61000-3-2	Class A

Isolation Test

Primary to Secondary: 3000VAC for 1 second 10mA

Insulation Resistance

Primary to Secondary: >10M OHM 500VDC

FEATURE:

Over Voltage/Current, Short Circuit Protection

The output is equipped with short circuit protection and overload protection as per IEEE802.3af specifications and conforms to UL60950-2. The output can be shorted permanently without damage. This unit is not equipped with detection and may not be used in situation where it may be connected to non-PoE ready devices.

Indicator

Solid Green: Power "ON"

Data in/Output Connector

RJ45

Output Connection

+pin 4,5 / -pins 7,8

Warranty

1 Year

Interchangeable AC Clips (Sold Separately)

RPA: US	RPI: India
RPB: Brazil	RPK: UK
RPC: China	RPN: Argentina
RPE: Europe	RPS: Australia
RPH: Korea	RPX: C8