

## 10W Single Output Industrial DIN Rail Power Supply



### ■ Features :

- Universal AC input/Full range
- Protections: Short circuit / Overload / Over voltage
- Cooling by free air convection
- Can be installed on DIN rail TS-35/7.5 or 15
- NEC class 2 / LPS compliant
- Built in DC OK active signal
- LED indicator for power on
- No load power consumption < 0.75W
- 100% full load burn-in test
- 3 years warranty



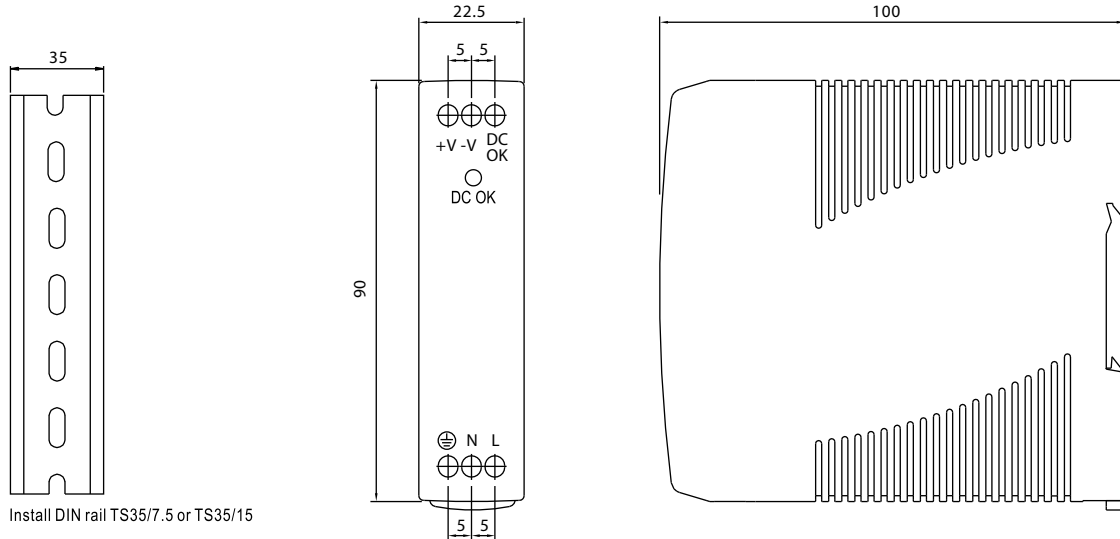
### SPECIFICATION

MODEL	PS-S1005	PS-S1012	PS-S1015	PS-S1024	
OUTPUT	<b>DC VOLTAGE</b>	5V	12V	15V	24V
	<b>RATED CURRENT</b>	2A	0.84A	0.67A	0.42A
	<b>CURRENT RANGE</b>	0 ~ 2A	0 ~ 0.84A	0 ~ 0.67A	0 ~ 0.42A
	<b>RATED POWER</b>	10W	10W	10W	10W
	<b>RIPPLE &amp; NOISE (max.)</b> Note.2	80mVp-p	120mVp-p	120mVp-p	150mVp-p
	<b>VOLTAGE TOLERANCE</b> Note.3	±5.0%	±3.0%	±3.0%	±2.0%
	<b>LINE REGULATION</b>	±1.0%	±1.0%	±1.0%	±1.0%
	<b>LOAD REGULATION</b>	±5.0%	±3.0%	±3.0%	±2.0%
	<b>SETUP, RISE TIME</b> Note.5	500ms, 30ms/230VAC	1000ms, 30ms/115VAC at full load		
<b>HOLD UP TIME (Typ.)</b>	120ms/230VAC	25ms/115VAC at full load			
INPUT	<b>VOLTAGE RANGE</b>	85 ~ 264VAC	120 ~ 370VDC		
	<b>FREQUENCY RANGE</b>	47 ~ 63Hz			
	<b>EFFICIENCY (Typ.)</b>	77%	81%	81%	84%
	<b>AC CURRENT (Typ.)</b>	0.33A/115VAC	0.21A/230VAC		
	<b>INRUSH CURRENT (Typ.)</b>	COLD START 35A/115VAC	70A/230VAC		
	<b>LEAKAGE CURRENT</b>	<1mA / 240VAC			
PROTECTION	<b>OVERLOAD</b>	Above 105% rated output power Protection type : Hiccup mode, recovers automatically after fault condition is removed			
	<b>OVER VOLTAGE</b>	5.75 ~ 6.75V	13.8 ~ 16.2V	17.25 ~ 20.25V	27.6 ~ 32.4V
		Protection type : Shut down o/p voltage, re-power on to recover			
FUNCTION	<b>DC OK ACTIVE SIGNAL (max.)</b>	3.75 ~ 6V / 50mA	9 ~ 13.5V / 40mA	11.5 ~ 16.5V / 40mA	18 ~ 27V / 20mA
ENVIRONMENT	<b>WORKING TEMP.</b>	-20 ~ +70°C (Refer to output load derating curve)			
	<b>WORKING HUMIDITY</b>	20 ~ 90% RH non-condensing			
	<b>STORAGE TEMP., HUMIDITY</b>	-40 ~ +85°C, 10 ~ 95% RH			
	<b>TEMP. COEFFICIENT</b>	±0.03%/°C (0 ~ 50°C)			
	<b>VIBRATION</b>	Component: 10 ~ 500Hz, 2G 10min./1cycle, 60min. each along X, Y, Z axes; Mounting: Compliance to IEC60068-2-6			
SAFETY & EMC (Note 4)	<b>SAFETY STANDARDS</b>	UL508, EN60950-1 approved, NEC class 2 / LPS compliant			
	<b>WITHSTAND VOLTAGE</b>	I/P-O/P: 3KVAC	I/P-FG: 1.5KVAC	O/P-FG: 0.5KVAC	
	<b>ISOLATION RESISTANCE</b>	I/P-O/P, I/P-FG, O/P-FG: 100M Ohms/500VDC			
	<b>EMI CONDUCTION &amp; RADIATION</b>	Compliance to EN55011, EN55022 (CISPR22), EN61204-3 Class B			
	<b>HARMONIC CURRENT</b>	Compliance to EN61000-3-2, -3			
	<b>EMS IMMUNITY</b>	Compliance to EN61000-4-2, 3, 4, 5, 6, 8, 11, ENV50204, EN55024, EN61000-6-1, EN61204-3, light industry level, criteria A			
OTHERS	<b>MTBF</b>	584K hrs min. MIL-HDBK-217F (25°C)			
	<b>DIMENSION</b>	22.5*90*100mm (W*H*D)			
	<b>PACKING</b>	0.17Kg; 72pcs/13.2Kg/0.91CUFT			
NOTE	<ol style="list-style-type: none"> <li>1. All parameters NOT specially mentioned are measured at 230VAC input, rated load and 25°C of ambient temperature.</li> <li>2. Ripple &amp; noise are measured at 20MHz of bandwidth by using a 12" twisted pair-wire terminated with a 0.1uf &amp; 47uf parallel capacitor.</li> <li>3. Tolerance : includes set up tolerance, line regulation and load regulation.</li> <li>4. The power supply is considered a component which will be installed into a final equipment. The final equipment must be re-confirmed that it still meets EMC directives.</li> <li>5. Length of set up time is measured at cold first start. Turning ON/OFF the power supply may lead to increase of the set up time.</li> </ol>				

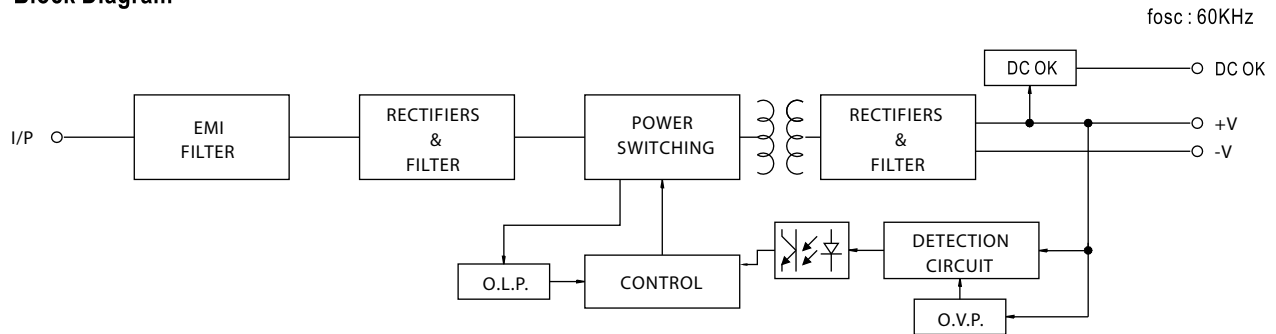
## 10W Single Output Industrial DIN Rail Power Supply

### Mechanical Specification

Case No. 956 Unit:mm

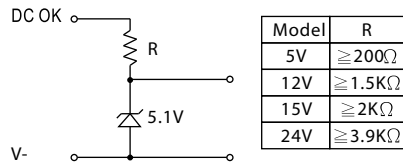


### Block Diagram

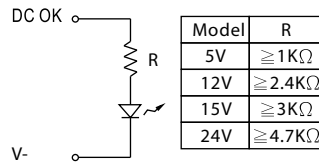


### Application of DC OK Active Signal

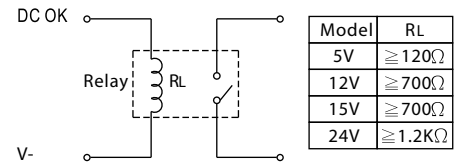
#### (a) 5V signal



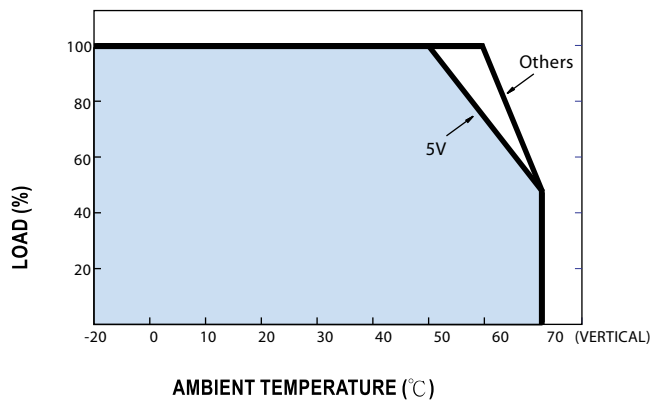
#### (b) LED



#### (c) Relay



### Derating Curve



### Output Derating VS Input Voltage

