

LCC250

250 Watts
Convection/Conduction
Mounting

Total Power: 250 W
of Outputs: Single
Output: 12, 24, 48 V



Special Features

- 12 VDC / 250 W output power
- Wide Operating Temperature Range suited for outdoor application
- IP64 Rated
- Conducted Mounting or Convection
- Differential Remote Sense
- Output Adjust
- Output On/Off (Positive or Negative user selectable)

Compliance

- EMI Class B
- EN61000 Immunity

Safety

- UL+CSA 60950-1
60601-1
- TUV (Suffix 'E') 60950-1
60601-1
- CB Scheme 60950-1
- EN61347-2-13

Electrical Specifications

Input	
Input Range:	90 - 264 Vac (Operating) 115/230 Vac (Nominal)
Frequency:	47 - 63 Hz
Input Fusing:	Internal fuse on both L and N lines
Inrush Current:	50 A
Power Factor:	> 0.92 Full load
Harmonics:	Meets IEN 61000-3-2 Class C
Input Current:	3.4 A @ 90 Vac full load
Hold Up Time:	16 ms minimum at 115 Vac; 100% load
Efficiency:	230 Vac; 100% load
	12 V - 89% typical 24 V - 91% typical
Leakage Current:	< 275 μ A at 230 Vac

Output		
Output Rating:	12 V @ 20.8 A 24 V @ 10.4 A	
Set Point:	± 0.2%	Factory set point
Total Regulation Range:	± 2%	Line/Load/Temperature
Rated Load:	250 W maximum	
Minimum Load:	0 A Load	No loss of regulation
Capacitive Load:	0 - 330 µF/Amp	Equivalent to roughly 0 to 2X 3300 µF (25 V) cap.
Constant Output Voltage Adjustment Range:	12 V: +10 / -10% 24 V: +14.6 / -15%	Adjust via VR2
Constant Output Current Adjustment Range:	+0 / -50%	Adjust via VR1 CC mode supported from Vo nominal down to 80% Vo
Output Ripple and Noise:	1%	See Note 1
Transient Response:	± 5% Vo max transient; recovery < 500 µs max	50% Load Step @ 1 A/µs Step Load verified at: 50% to 100% Load; 90 - 264 Vac input; Capacitive Load from 0 to 2X 3300 µF (25 V)
Remote sense:	Capable of Stable Offset of ± 0.5 Vdc at output cable termination	+SENSE (Red Wire); -SENSE (Black Wire)
Output On/Off:	Remote On/Off referenced to secondary side. Positive or Negative logic user selectable via CN2. Factory default is Positive logic	On/Off (Orange Wire); On/Off Return (White Wire)
Overcurrent Protection (OCP):	≤ 150% Io	Auto-recovery
Overvoltage Protection (OVP):	110% to 135% Vo	Latching mode; Requires input AC recycle
Overtemperature Protection (OTP):		Auto-recovery; hiccup mode
Output Isolation	4000 Vac Input to Output 1500 Vac Input to Ground 500 Vac Output to Ground	

Environmental Specifications

Operating Temperature Range:	Suffix 4P (Conduction): -40 °C to +85 °C Baseplate Temperature Suffix 7P (Convection): -40 °C to +85 °C Ambient Temperature
Storage Temperature:	-40 °C to 85 °C
Humidity:	10% to 100% (Condensing & Non-Condensing)
Altitude:	Operating: 13,000 feet Non-Operating: 50,000 feet
Shock:	IEC68-2-27
Vibration:	IEC 68-2-6 / IEC 721-3-2
Ingress Protection:	IP64 Rated
MTBF (Calculated):	> 780,000 hours at 100% load; Low line; Telcordia SR-332

Ordering Information

Model Number	Output	Adjustment Range	Output Current		Output Ripple P/P ¹	Line/Load Regulation	Safety Approval ⁴	Status
			Min	Max				
LCC250-12U-4P	12 V	+10% / -10%	0 A	20.8 A	1% ²	± 2%	A, B, E	Released
LCC250-12U-4PE	12 V	+10% / -10%	0 A	20.8 A	1% ²	± 2%	C, D, E	Released
LCC250-12U-7P	12 V	+10% / -10%	0 A	20.8 A	1% ²	± 2%	A, B, E	Released
LCC250-12U-7PE	12 V	+10% / -10%	0 A	20.8 A	1% ²	± 2%	C, D, E	Released
LCC250-24U-4P	24 V	+14.6 / -15%	0 A	10.4 A	1% ³	± 2%	A, B, E	July 2011 Release
LCC250-24U-4PE	24 V	+14.6 / -15%	0 A	10.4 A	1% ³	± 2%	C, D, E	July 2011 Release
LCC250-24U-7P	24 V	+14.6 / -15%	0 A	10.4 A	1% ³	± 2%	A, B, E	July 2011 Release
LCC250-24U-7PE	24 V	+14.6 / -15%	0 A	10.4 A	1% ³	± 2%	C, D, E	July 2011 Release

1. Output ripple measured at the end of the output cable terminated with 10 µF tantalum cap in parallel with 0.1 µF ceramic capacitor.

2. 1% limit is achieved with 2X 820 µF/16 V external cap (e.g. PLG1C821MDO1 from Nichicon or equivalent). Otherwise, maximum limits are 1.5% at Ta ≥ 0 °C and 2.0% max at Ta < 0 °C.

3. 1% limit is achieved with 2X 820 µF/35 V external cap (e.g. UPM1V821MHD1TO from Nichicon or equivalent). Otherwise, maximum limits are 1.5% at Ta ≥ -10 °C. 2.0% max ripple at Ta < -10 °C is met with below external capacitance.

Ambient Temperature (°C)	-20	-25	-30	-35	-40
Recommended External Capacitors (µF)	1000	2200	3300	12000	22000

4. Safety Approvals:

- (A) UL+CSA 60950-1 2nd Edition
- (B) UL+CSA 60601-1 2nd Edition
- (C) TUV 60950-1 2nd Edition (different input cable)
- (D) TUV 60601-1 2nd Edition (different input cable)
- (E) EN61347-1 / -2-13

5. Warranty: 2 years

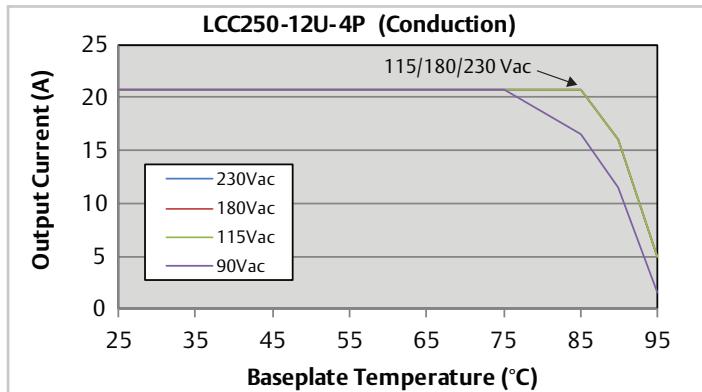


Fig 1. 12 V “4P” Suffix (Conduction) Output Current Derating

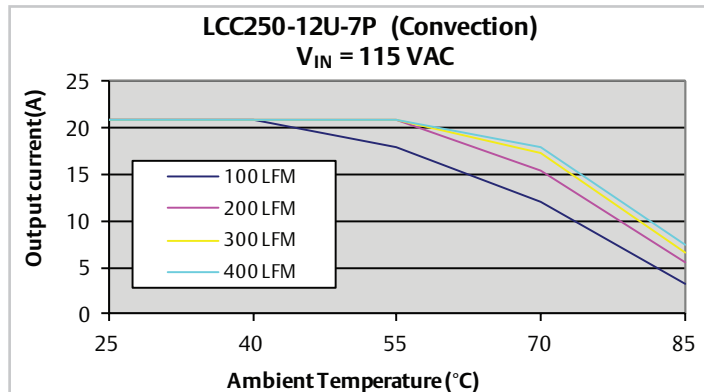


Fig 2. 12 V “7P” Suffix (Convection) Output Current Derating at 115 Vac

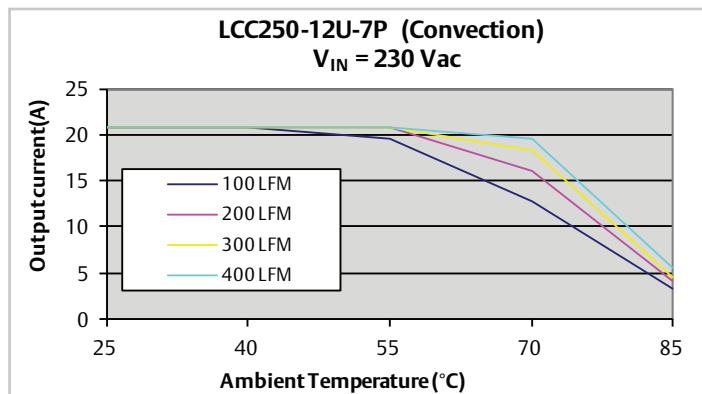


Fig 3. 12 V “7P” Suffix (Convection) Output Current Derating at 230 Vac

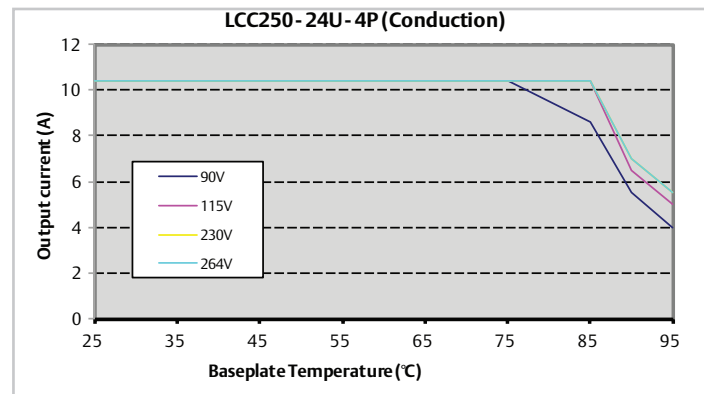


Fig 4. 24 V “4P” Suffix (Conduction) Output Current Derating

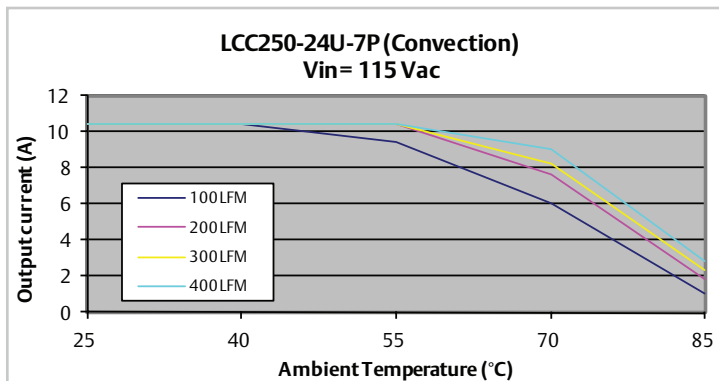


Fig 5. 24 V “7P” Suffix (Convection) Output Current Derating at 115 Vac

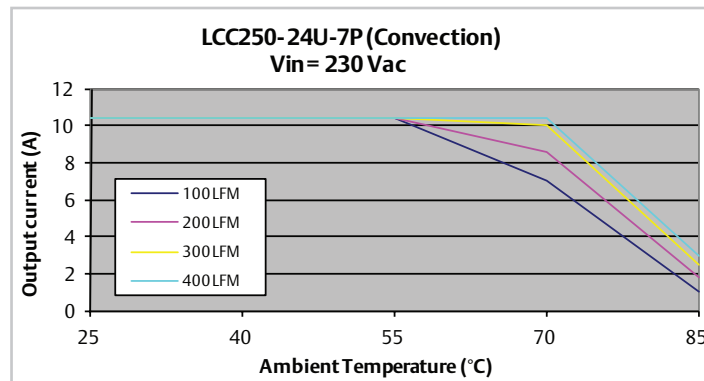
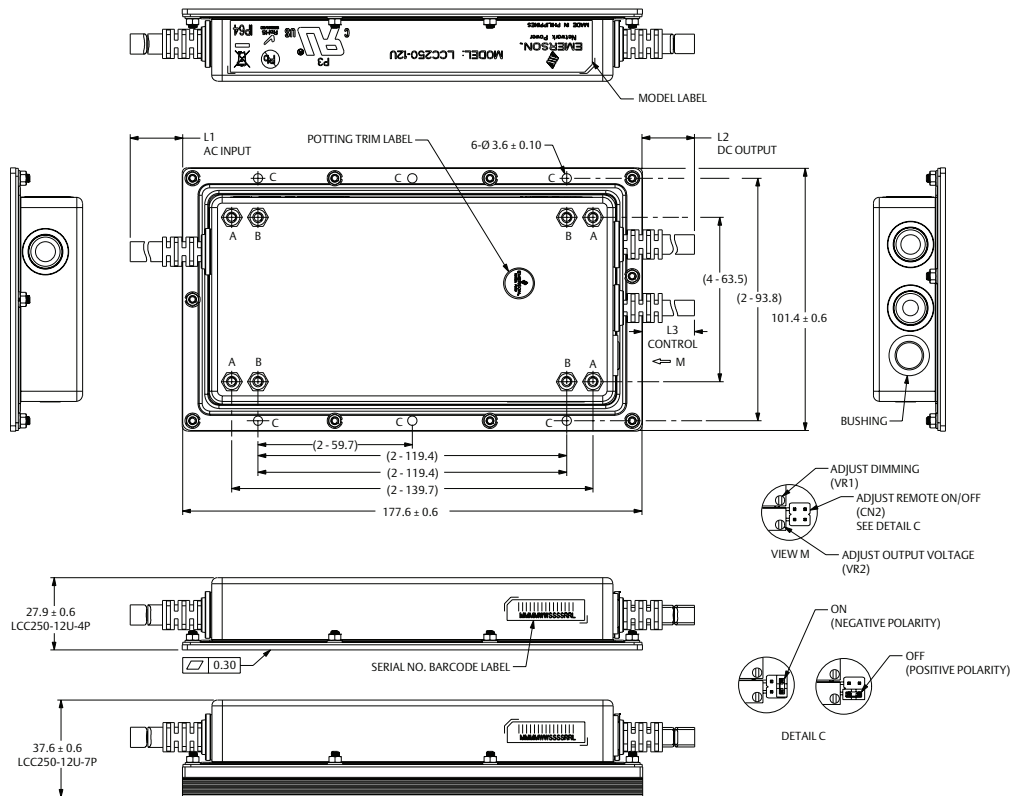


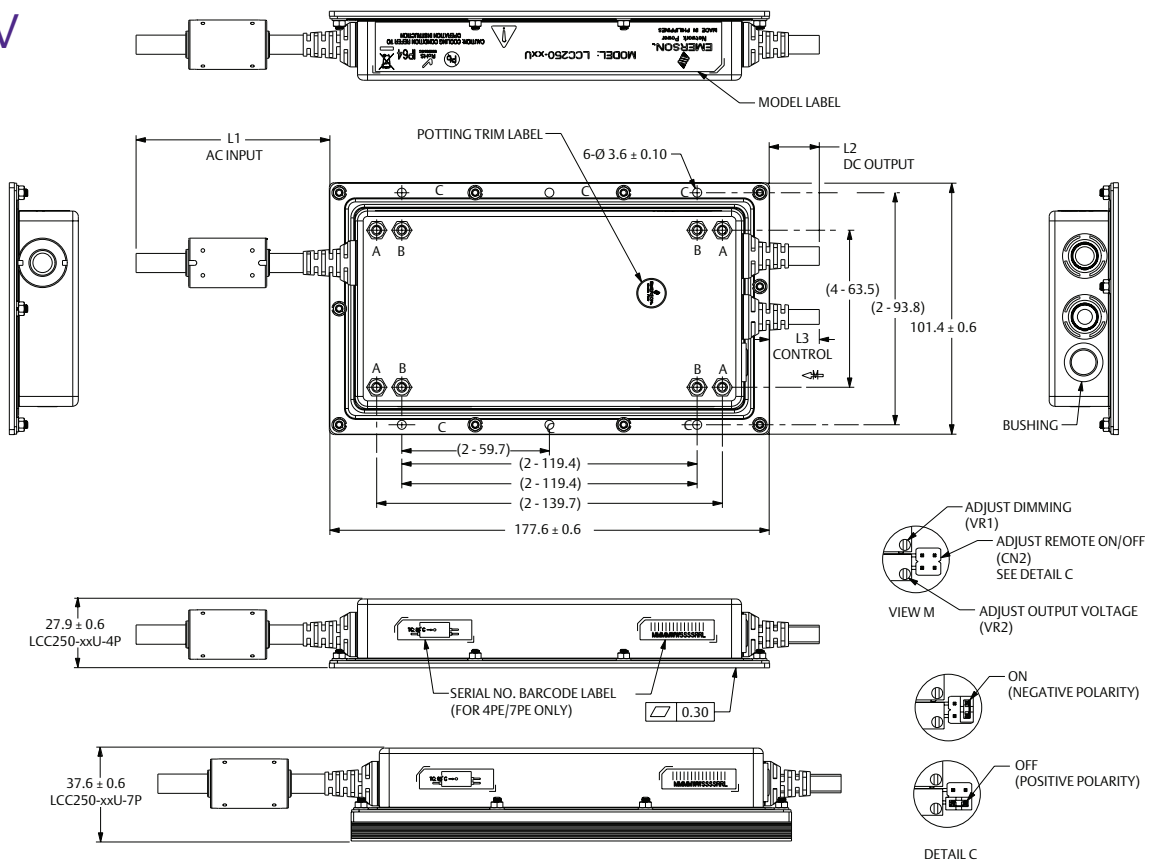
Fig 5. 24 V “7P” Suffix (Convection) Output Current Derating at 230 Vac

Mechanical Drawings

12V



24V



Cable	Length	Designation	Wire Color	Wire Gauge
AC Input Cable	L1 = 150 ± 10 mm	L = Live	Brown	AWG#18
		N = Neutral	Blue	AWG#18
		PE = Primary Earth	Green/Yellow	AWG#18
DC Output Cable	L2 = 150 ± 10 mm	+Output	Blue	AWG#14
		-Output	Gray	AWG#14
Control Cable	L3 = 150 ± 10 mm	Dimming	Brown	AWG#26
		Dimming Return	Yellow	AWG#26
		ON/OFF	Orange	AWG#26
		ON/OFF Return	White	AWG#26
		Sense	Red	AWG#26
		Sense Return	Black	AWG#26

Americas

5810 Van Allen Way
Carlsbad, CA 92008
USA
Telephone: +1 760 930 4600
Facsimile: +1 760 930 0698

Europe (UK)

Waterfront Business Park
Merry Hill, Dudley
West Midlands, DY5 1LX
United Kingdom
Telephone: +44 (0) 1384 842 211
Facsimile: +44 (0) 1384 843 355

Asia (HK)

14/F, Lu Plaza
2 Wing Yip Street
Kwun Tong, Kowloon
Hong Kong
Telephone: +852 2176 3333
Facsimile: +852 2176 3888

For global contact, visit:

www.Emerson.com/EmbeddedPower
techsupport.embeddedpower@emerson.com

While every precaution has been taken to ensure accuracy and completeness in this literature, Emerson Network Power assumes no responsibility, and disclaims all liability for damages resulting from use of this information or for any errors or omissions.

Emerson Network Power.

The global leader in enabling business-critical continuity.

- AC Power
- Connectivity
- DC Power
- Embedded Computing
- **Embedded Power**
- Monitoring
- Outside Plant
- Power Switching & Controls
- Precision Cooling
- Racks & Integrated Cabinets
- Services
- Surge Protection

EmersonNetworkPower.com

Emerson Network Power and the Emerson Network Power logo are trademarks and service marks of Emerson Electric Co. ©2011 Emerson Electric Co.