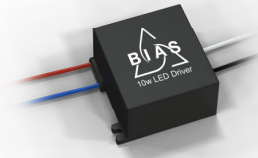


# BIAS 10 Watt LED Driver Supply BPWXL 10 Series Data Sheet

Single output

- BPWXL 10-24-035 (not for new designs)
- BPWXL 10-30-035 (350mA constant current driver)
- BPWXL 10-14-070 (700mA constant current driver)
- BPWXLD 10-30-035 (0-10 dimmable driver)
- BPWXLE 10-30-035 (ELV/Triac dimmable driver)
- BPWXL 10-12-00 (constant voltage driver)



## Features

- Universal Input (100-308 VAC, 50/60Hz)
- 350mA /30VDC string or 700mA /14VDC string or 12VDC constant voltage
- Ingress protection to IP67
- -40 to +85°C ambient, 90°C maximum case temperature
- Flying Leads for AC and LED connections
- 3000 VAC Isolation
- 82% efficiency
- EN 55022, Class B; FCC Part 15, Class B
- Meets UL/CSA and EN Product Safety Requirements (UL 8750 Class 2)
- Overcurrent, short circuit (shorted string), open circuit (string break) and overload protected

The BPWXL Series driver is an ideal solution for numerous LED driver applications requiring up to ten watts of output power.

The constant current drivers handle LED string voltages up to 30VDC at 350mA or 14VDC at 700mA. The dimmable drivers adjust output current based on either 0-10 VDC reference or ELV/Triac tracking. The constant voltage driver handles LED string voltages up to 12VDC.

A patented design incorporates a custom integrated circuit to maximize performance and keep package size small. An installer friendly design uses color coded flying leads for all connections.

## Operating Specifications

(@120VAC / 60 Hz / 25°C unless otherwise specified)



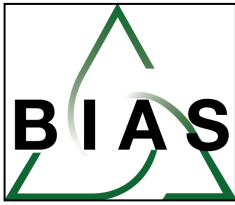
Electrical	
Input Voltage Range	100-308 VAC (50/60Hz)
Output Power (Pmax)	10 W nom (50/60Hz)
Efficiency	82% nom.
Temperature Regulation Io (Peak)	+/- 2%, Po < Pmax
Isolation	3000 VAC (meets UL/CSA & EN Product Safety)
Earth Leakage @ 120 VAC	< 10 uA
Short Circuit Protection	Continuous, Pin ≤ 0.7 w @ 120 VAC
Reliability @ 25° C, MIL HDBK-217F	> 500 Khr MTBF
AC Input Connections	Line - Black, Neutral - White
DC Output Connections	Positive (+) - Red, Negative(-) - Blue
Dimming Connections (BPWXLD)	0-10 in - Orange, Common - Green

Environmental	
Operating Temperature	-40 to 85° C
Case Temperature, maximum	90° C
Storage Temperature	-40 to 105° C
Ingress Protection	IP67
Mechanical	
Package Size (L x W x H)	2.3 x 2.5 x 1.25 inches
Lead Length	11", 18AWG
Safety	
Safety Compliance	ETL/UL 8750 Class 2/CAN/CSA c22.2 (1)
EMI Emissions	EN 55022, Class B, FCC Part 15, Class B

Model Number	BPWXL 10-30-035	BPWXL 10-14-070	BPWXLD 10-30-035	BPWXLE 10-30-035	BPWXL 10-12-00
Maximum string voltage	30 VDC	14 VDC	30 VDC	30 VDC	12 VDC
Output Current	350 mA	700 mA	0 to 350 mA	0 to 350 mA	830 mA (2)
Dimming	N/A	N/A	0 to 10 VDC, Vd	ELV/Triac	N/A
Dimming Linearity	N/A	N/A	+/- 2%		N/A
Line Regulation, Io (Peak)	+/- 1%, Po < Pmax	+/- 1%, Po < Pmax	+/- 1%, Po < Pmax	N/A	N/A
Line Regulation, Vo (Peak)	N/A	N/A	N/A	N/A	+/- 5%, Po < Pmax
Dimming (0-10/common)	N/A	N/A	ORG/GRN	N/A	N/A

Note (1): Safety agency recognition pending for BPWXLD, BPWXLE, BPWXL 10-14-070 and BPWXL 10-12-00 drivers

Note (2): Rated current at maximum power. Higher current available (constant power mode) above rated power.



# BIAS 10 Watt LED Driver Supply

## BPWXL 10 Series Data Sheet

Single output

**BPWXL 10-24-035 (not for new designs)**

**BPWXL 10-30-035 (350mA constant current driver)**

**BPWXL 10-14-070 (700mA constant current driver)**

**BPWXLD 10-30-035 (0-10 dimmable driver)**

**BPWXLE 10-30-035 (ELV/Triac dimmable driver)**

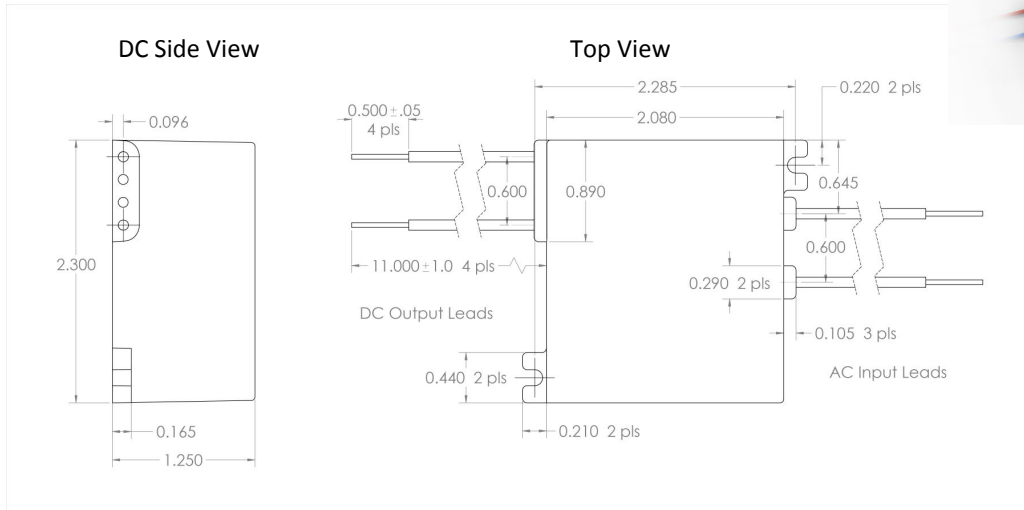
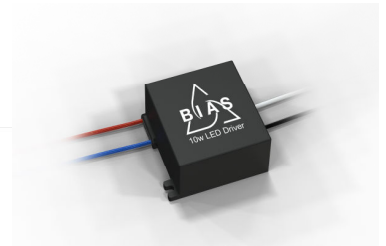
**BPWXL 10-12-00 (constant voltage driver)**

BPWXL 10-30-035

BPWXL 10-14-070

BPWXLE 10-30-035

BPWXL 10-12-00



BPWXLD 10-30-035

