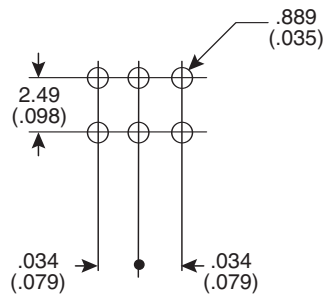
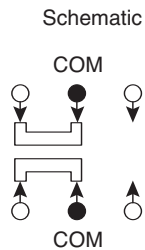
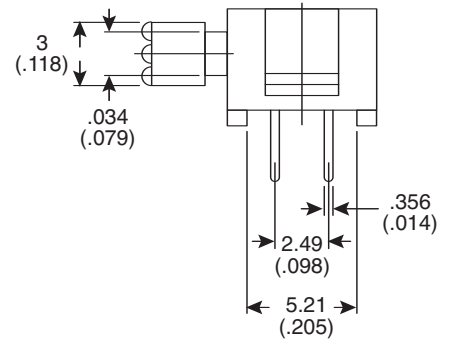
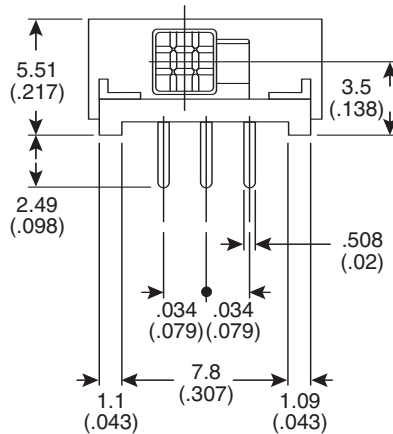
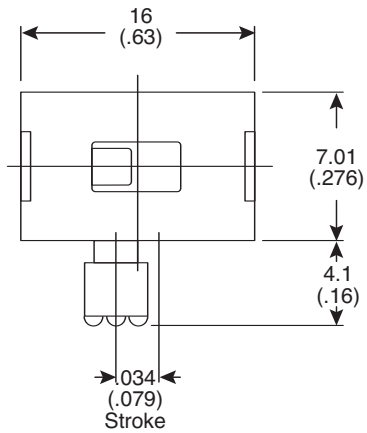
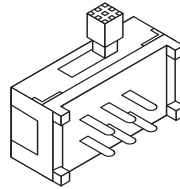


Dimensions: mm (In.)



Electrical Specifications:

- Rating: .3A / 30VDC
- Insulation resistance: > 500VDC 100MΩ
- Dielectric strength: 500VAC for 1 minute
- Contact resistance: 10mΩ Max
- Electrical life: 10,000 cycles

Mechanical Specifications:

- Operating force: 200 ± 150gf
- Mechanical life: 30,000 cycles
- Circuit: DPDT On-On

Soldering Process:

- Temperature: 255°C max. 5 sec.

Miniature Slide Switch
102-1401

