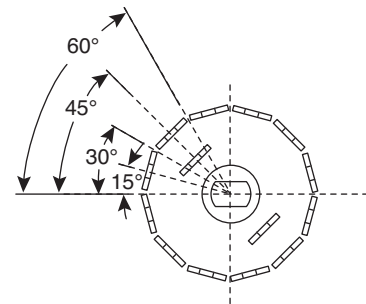
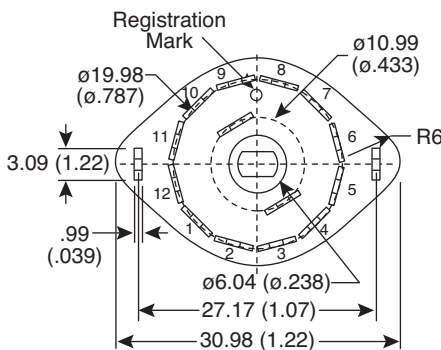
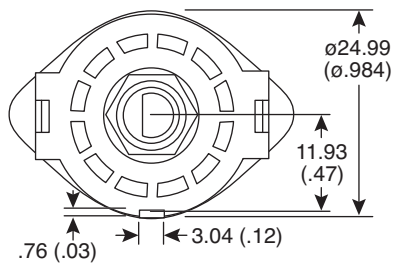
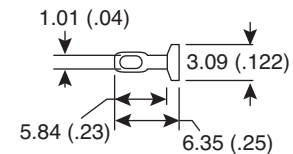
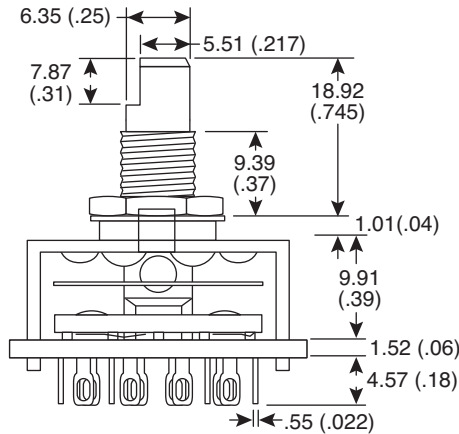
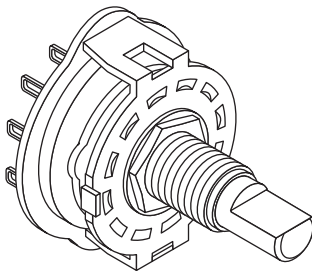




Rotary Switches

10YD025, 10YD026,
10YD034, 10YD043,
10YD062, 10YD112

Dimensions: mm (in)



Electrical Specifications:

- Rating: 0.3A 125VAC
- Contact resistance: 30mΩ max. @ 1A
- Insulation resistance: 10MΩ @ 500VDC min.
- Dielectric strength: 500VAC for 1 minute

Mechanical Specifications:

- Type: non-shorting contact (break before make)
- Rotation torque: 1~3KG/cm

Mouser Stock No.

| Mouser Stock No. | Poles | Position |
|------------------|-------|----------|
| 10YD025 | 2 | 5 |
| 10YD026 | 2 | 6 |
| 10YD034 | 3 | 4 |
| 10YD043 | 4 | 3 |
| 10YD062 | 6 | 2 |
| 10YD112 | 1 | 12 |

Materials:

- Hardware included: 1 hexagon nut & 2 washers
- Shaft: 1/4"