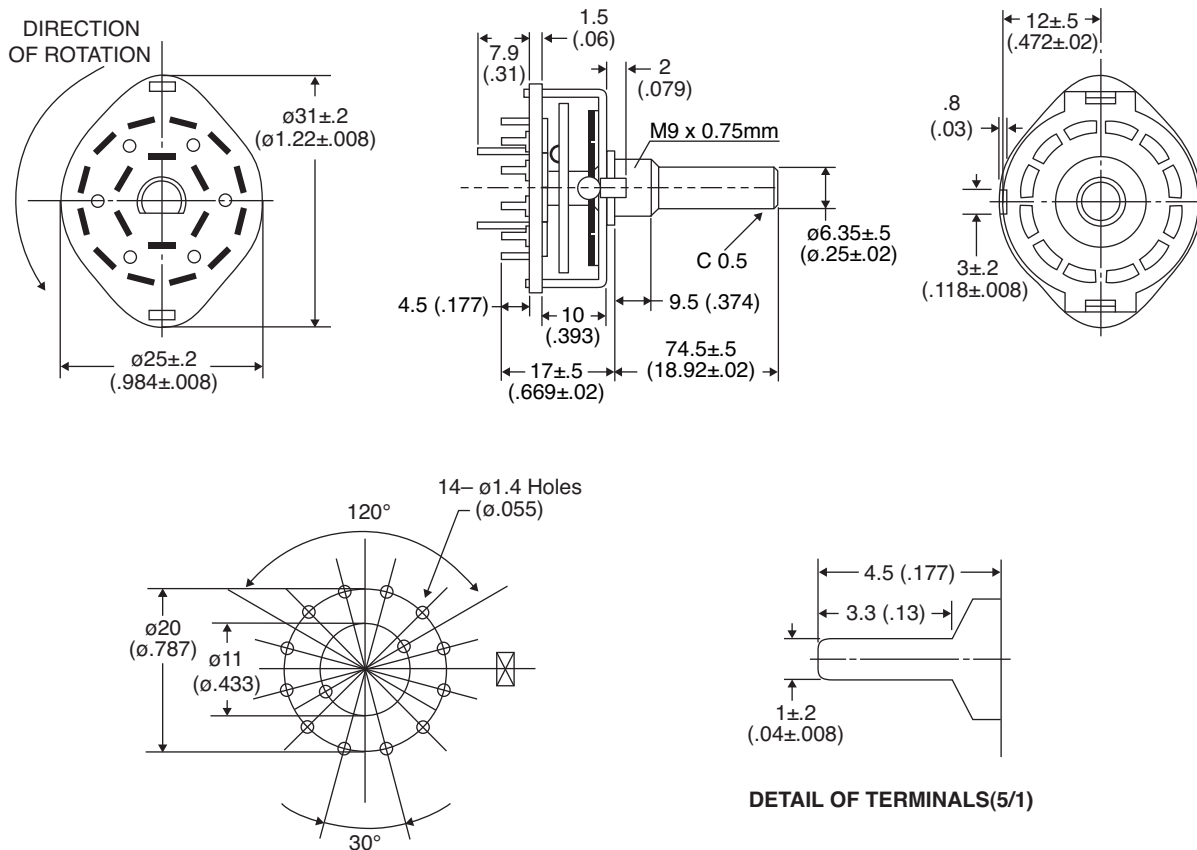




### Rotary Switches

- 10YQ018, 10YQ025
- 10YQ026, 10YQ034
- 10YQ043, 10YQ062
- 10YQ110, 10YQ112

Dimensions: mm (in)



☒ STOPPER  
P.C.B MOUNTING HOLE

**Electrical Specifications:**

- Rating: 0.3A/125VAC
- Contact resistance: 50mΩ max.
- Insulation resistance: 100MΩ @ 500VDC min.
- Dielectric strength: 250VAC for 1 minute

**Mechanical Specifications:**

- Type: PC mount; non-shorting contact (break before make)
- Rotation torque: 1.0+0.5KG/cm

**Materials:**

- Hardware included: 1 hexagon nut & 2 washers
- Shaft: 3/8"

Mouser Stock No.	Poles	Position
10YQ018	1	8
10YQ025	2	5
10YQ026	2	6
10YQ034	3	4
10YQ043	4	3
10YQ062	6	2
10YQ110	1	10
10YQ112	1	12