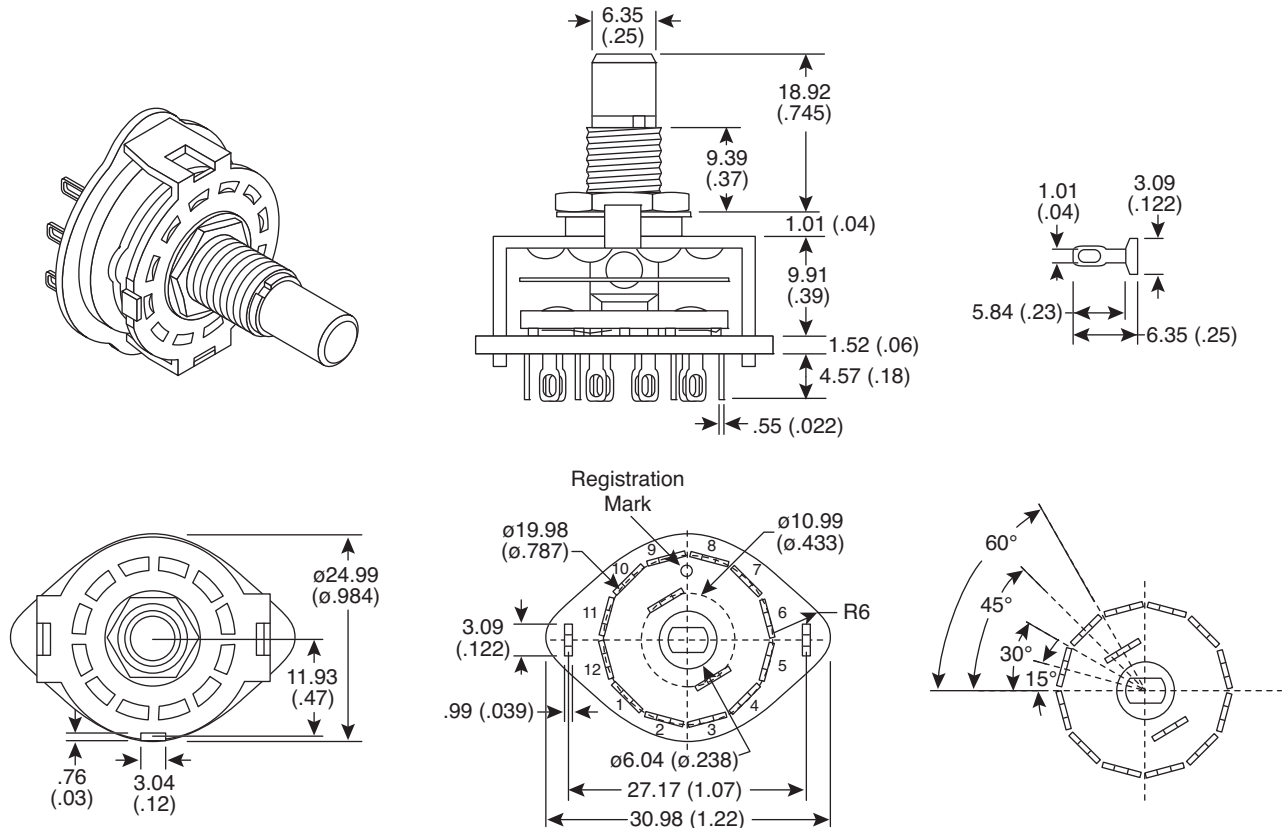




Rotary Switches

10YX025, 10YX026,
10YX034, 10YX043,
10YX062, 10YX112

Dimensions: mm (in)



Electrical Specifications:

- Rating: 0.3A/125VAC
- Contact resistance: 30m Ω max. 1A
- Insulation resistance: 10M Ω @ 500VDC min.
- Dielectric strength: 500VAC for 1 minute

Mechanical Specifications:

- Type: non-shorting contact (break before make)
- Rotation torque: 1~3KG/cm

Mouser Stock No.	Poles	Position
10YX025	2	5
10YX026	2	6
10YX034	3	4
10YX043	4	3
10YX062	6	2
10YX112	1	12

Materials:

- Hardware included: 1 hexagon nut & 2 washers
- Shaft: 1/4"