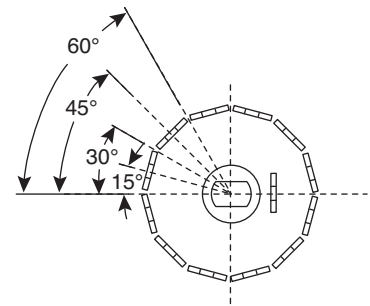
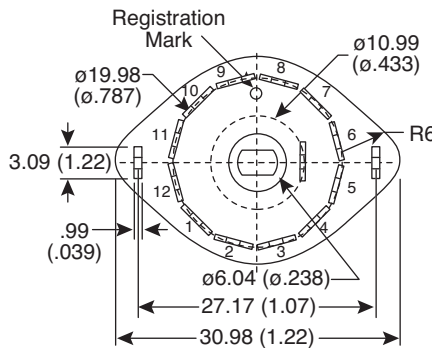
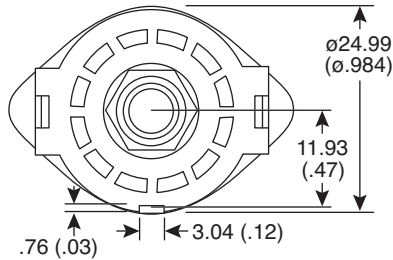
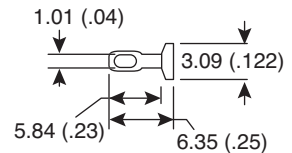
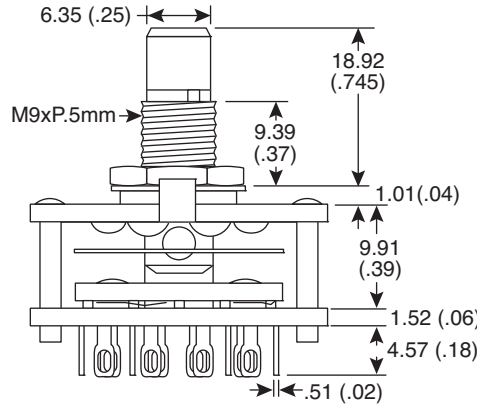
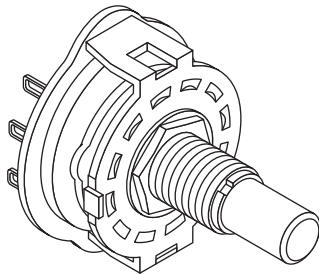




### Rotary Switches

- 10WW017, 10WW019,
- 10WW025, 10WW026,
- 10WW033, 10WW034,
- 10WW042, 10WW043,
- 10WW062, 10WW112

**Dimensions: mm (in)**



**Electrical Specifications:**

- Rating: 0.3A 125VAC
- Contact Resistance: 30mΩ max. @ 1A
- Insulation Resistance: 10MΩ @ 500VDC min.
- Dielectric Strength: 500VAC for 1 min.

**Mechanical Specifications:**

- Type: Shorting contact (make before break)
- Rotation Torque: 1~3KG/cm

**Materials:**

- Hardware Included: 1 hexagon nut & 2 washers
- Shaft: 1/4"

Mouser Stock No.	Poles	Position
10WW017	1	7
10WW019	1	9
10WW025	2	5
10WW026	2	6
10WW033	3	3
10WW034	3	4
10WW042	4	2
10WW043	4	3
10WW062	6	2
10WW112	1	12