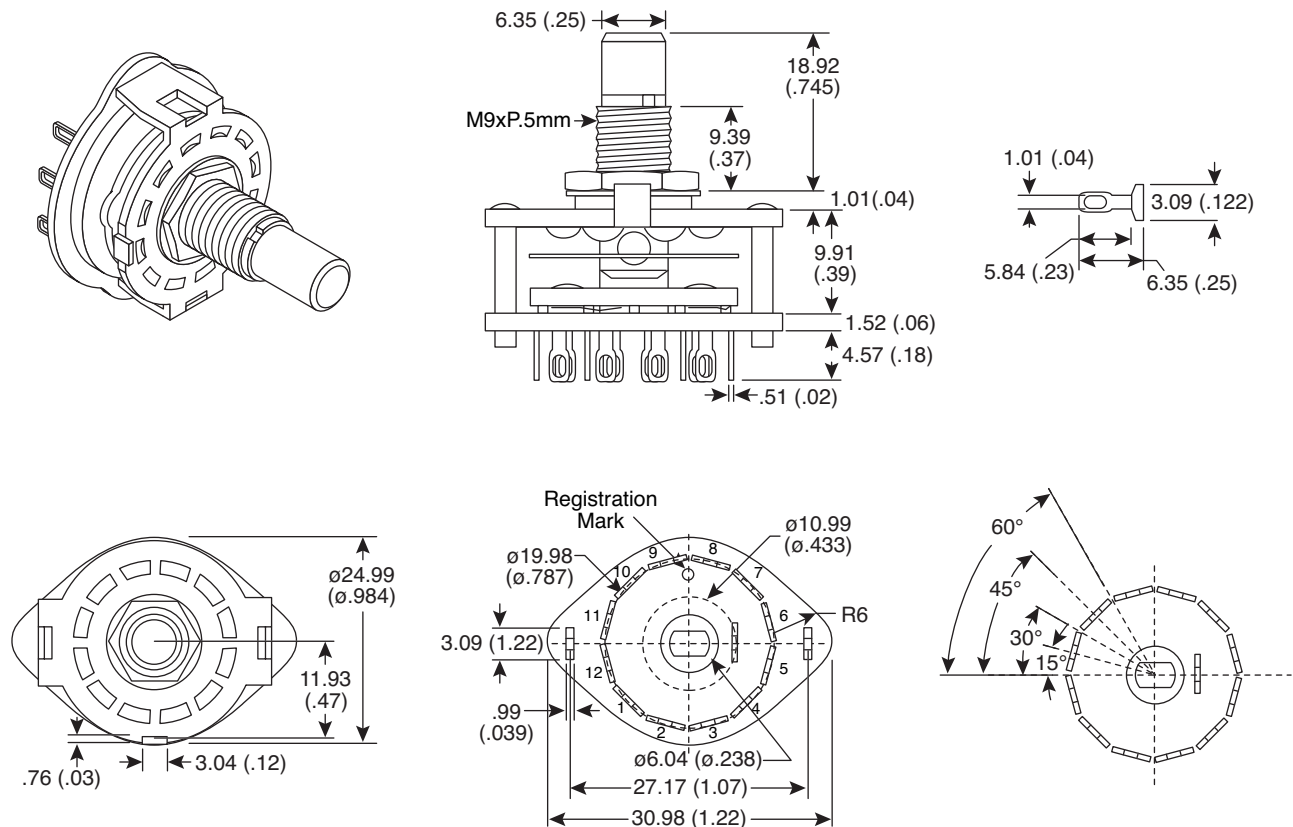




## Rotary Switches

105-SR2511F-17S, 105-SR2511F-19S, 105-SR2511F-25S,  
105-SR2511F-26S, 105-SR2511F-26S, 105-SR2511F-33S,  
105-SR2511F-34S, 105-SR2511F-42S, 105-SR2511F-43S,  
105-SR2511F-62S, 105-SR2511F-12S

### Dimensions: mm (in)



### Electrical Specifications:

- Rating: 0.3A/125VAC
- Contact Resistance: 30m $\Omega$  max. @ 1A
- Insulation Resistance: 10M $\Omega$  @ 500VDC min.
- Dielectric Strength: 500VAC for 1 min.

### Mechanical Specifications:

- Type: Shorting contact (make before break)
- Rotation Torque: 1~3KG/cm

### Materials:

- Hardware Included: 1 hexagon nut & 2 washers
- Shaft: 1/4"

| Mouser Stock No. | Poles | Position |
|------------------|-------|----------|
| 105-SR2511F-17S  | 1     | 7        |
| 105-SR2511F-19S  | 1     | 9        |
| 105-SR2511F-25S  | 2     | 5        |
| 105-SR2511F-26S  | 2     | 6        |
| 105-SR2511F-33S  | 3     | 3        |
| 105-SR2511F-34S  | 3     | 4        |
| 105-SR2511F-42S  | 4     | 2        |
| 105-SR2511F-43S  | 4     | 3        |
| 105-SR2511F-62S  | 6     | 2        |
| 105-SR2511F-12S  | 1     | 12       |

### Note:

- RoHS Compliant