

# ROTARY SWITCH

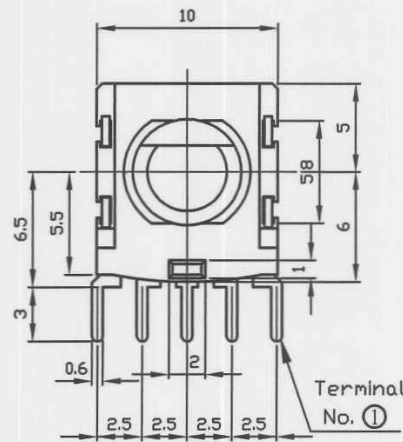
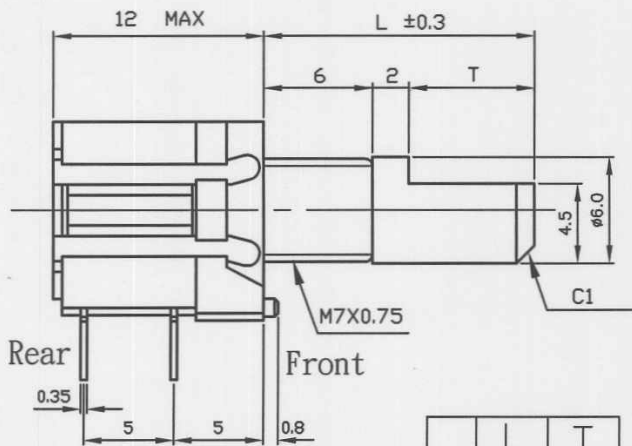
MODEL

SR10010F-0205-(L)FOA-C7-N

## SPECIFICATIONS

Rating	DC 16V 0.1 A
Contact Resistance	50 mΩ Max.
Insulation Resistance	DC100V-100 MΩ Min.
Withstand Voltage	AC100V-1 Minute
Operating Force	400gf.cm ±200gf.cm
Life cycle	10,000 cycles
Sizes (m.m.)	As Following Drawings

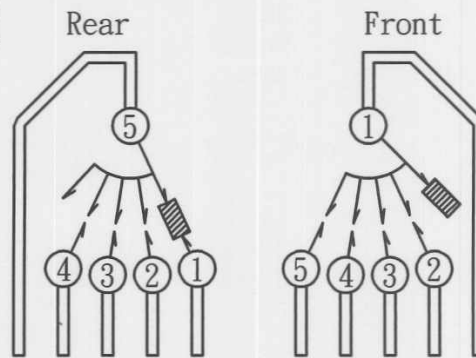
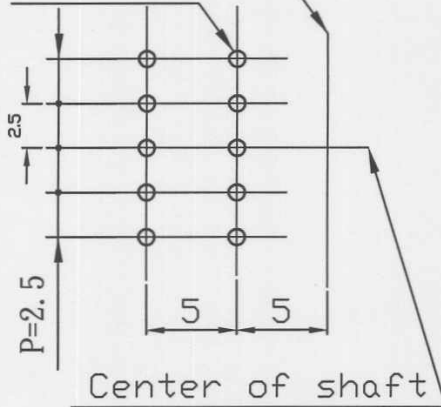
参考用



	L	T
	15	7
	20	12
	25	12

Mounting face

10-φ0.9 hole



❖ DUMMY TERMINAL

Date

2007.03.19

DWN

CHKD

APP'D



TAIWAN ALPHA ELECTRONIC CO., LTD.