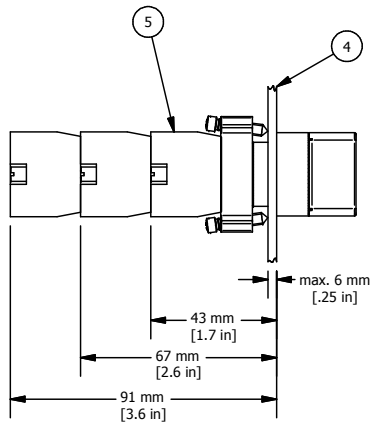


Up to **six** switch contacts can be installed.



\* = Selector Switch is supplied with mounting bracket (ITEM 1,2 and 3)  
 \*\* = Switch Contacts must be ordered separately

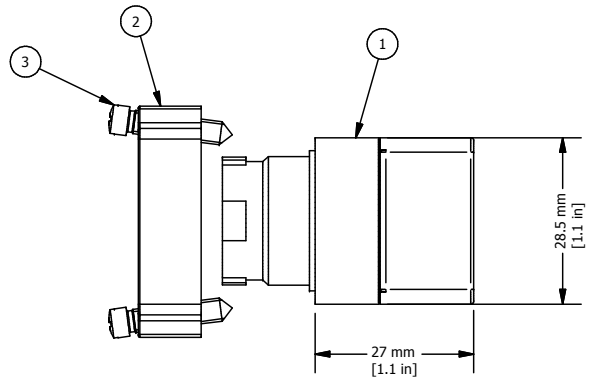
**3 POSITION SELECTOR SWITCH  
 CONTACT BLOCK OPERATION GUIDE**

CONTACT BLOCK GUIDE		
×	○	1 NO (left)
○	×	2 NC in series (side × side)
○	○	1 NO (right)
×	×	1 NC (right)
○	×	1 NC (left)
×	○	2 NO in parallel (side × side)

(Left or right as seen from front of operator)

REVISION FOR DWG # 1PB-2AS2-x

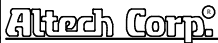
REV	CH.NO.	DESCRIPTION	DATE	REVISED BY
-	-	ORIGINAL DESIGN	11/01/07	PHILIPP E.



ITEM	DESCRIPTION	CAT. NO.	DESCRIPTION	Color	MIN. QTY.	MAX. QTY.
1*	Selector Switch	2AS2-1	Maintained	Black	1	1
		2AS2-2	Spring Return	Black	1	1
		2AS2-3	Maintained	Black	1	1
		2AS2-4	Spring Return	Black	1	1
		2AS2-5	Spring Return	Black	1	1
		2AS2-6	Spring Return	Black	1	1
2*	Mounting Bracket	2BRK	-	-	1	1
3	Mounting Bracket Screws	incl. in 2BRK	-	-	2	2
4	Panel	-	-	-	-	-
5**	Switch Contacts	S1	-	Green	1	6
		S2	-	Red	1	6
		S3	-	Green/Black	1	6
		S4	-	Red/Black	1	6

UNLESS OTHERWISE SPECIFIED:  
 • ALL DIMENSIONS ARE IN MILLIMETERS  
 • THIRD ANGLE PROJECTION

This Drawing is the property of



35 Royal Road  
 Flemington, NJ 08822-6000  
 (908) 806-9400  
 Fax (908) 806-9490

AND IS A CONFIDENTIAL DISCLOSURE WITHOUT CONSIDERATION OTHER THAN THE BORROWER'S AGREEMENT THAT IT SHALL NOT BE REPRODUCED, COPIED, LENT OR DISPOSED OF DIRECTLY OR INDIRECTLY NOR USED FOR ANY PURPOSE OTHER THAN THAT FOR WHICH IT IS SPECIFICALLY FURNISHED.

TITEL 22mm Non-Illuminated Selector Switch 2AS2-x (x=type)

TOLERANCE	
XX	±.1MM
XX.X	±0.5MM
XX.XX	±0.2MM
ALL	±.1MM



DRAWN BY: Philipp Ernstberger	11/01/07	DRAWING NO.:	1PB-2AS2-x	REV.:	-
CHECKED BY: Laszlo Gyorgypal	11/01/07	SCALE:	-	SHEET: 1	OF: 1
RELEASED BY: Laszlo Gyorgypal	11/01/07				