

# ROTARY SWITCHES

## SUB-MINIATURE T-05 SPACE SAVER ROTARY SWITCHES

This sub-miniature rotary switch has up to 8 positions in a T-05 can. Gold contacts deliver long life and reliability. Contacts are glass to metal sealed to prevent solder flux penetration. The Series 030 can be used for manually programming a single PC board for test or multi-function use.

# Series 030



ACTUAL SIZE

### APPLICATIONS

- Communications equipment
- Cable TV equipment
- Circuit breakers
- Timers
- Thermostatic controls

### KEY FEATURES:

- Gold contacts
- Up to 8 positions
- Life: 10,000 mechanical actuation (nom.)
- Variety of actuator lengths
- Glass to metal sealed header
- PC terminals
- Sub-miniature package size (.36" diameter)

### ORDERING INFORMATION:

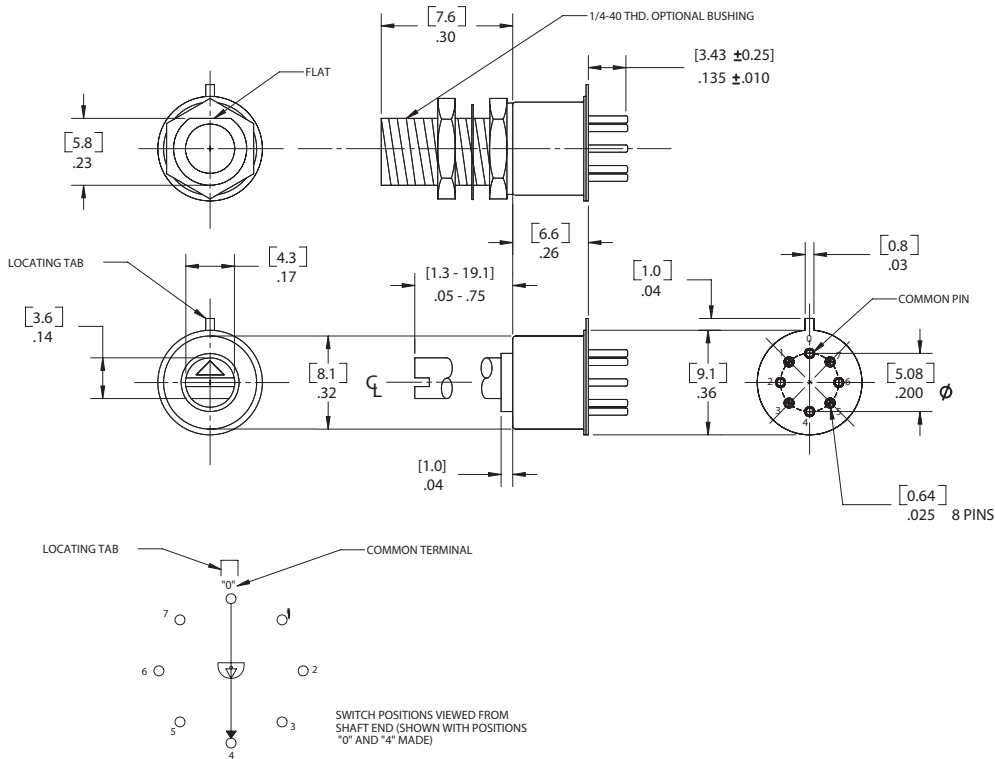
Part Number	Positions	Shaft Length	Custom *
030-202-018	2	0.18	—
030-303-018	3	0.18	—
030-404-018	4	0.18	—
030-404-904	4	0.05	Black Insert, Spacer, No Post
030-404-905	4	0.05	Red Insert, Micro Plastic Spacer
030-505-018	5	0.18	—
030-505-906	5	0.05	Black Insert, Spacer, No Post
030-606-018	6	0.18	—
030-606-902	6	0.30	Black Insert, Spacer, No Post
030-808-005	8	0.05	—
030-808-030	8	0.30	—
030-808-907	8	0.05	Black Insert, Spacer, No Post
030-808-908	8	0.30	Black Insert, Spacer, No Post
030-808-909	8	0.30	No Insert, Spacer, No Post

\* Subject to change without notice, all orders are NC & NR.

### STANDARDS / AGENCY / RATINGS:



## 030-XOX-XXX



### MECHANICAL / ELECTRICAL CHARACTERISTICS:

**Contact rating:**  
dry circuit to 500 mA  
@ 125 VAC

**Contact material:**  
hard gold over barrier

**Contact resistance:**  
80 milliohms Max (initially)

**Life:**  
10,000 actuations

**End of life criteria:**  
100 milliohms  
contact resistance

**Angle of throw:**  
45° / position—  
8 positions max

**Breakdown voltage:**  
500 V 60 HZ

**Insulation resistance:**  
50,000 megohms

**Actuation torque:**  
85 inch—grams nom initially

**Temperature range:**  
-30°C to +100°C

## 030-XOX-9XX

