

M4 - SERIES

SPECIFICATIONS AND ORDERING INFORMATION

1.43" DIAMETER 1.0 AMP @ 28 VDC

The M4 Series was originally designed to meet the requirements of MIL-S-3786/28. Standard construction includes solder lug terminals, adjustable stops and up to 12 positions.



SPECIFICATIONS

ELECTRICAL

Current and Voltage Rating: Make and break resistive load
1.0 amp @ 28 VAC; 0.35 amp @ 115 VDC; .
Current Carrying Capacity: 10 amps.
Dielectric Strength: 1,000 VAC between current carrying parts and ground.
Contact Resistance: Average initial 5 milliohms.
Insulation Resistance: In excess of 10,000 megohms

Hardware: Mounting nut and lockwasher are shipped assembled.

MECHANICAL

Materials and Finishes: All parts utilize non-corrosive materials as standard.
Clips and Rotors: Silver alloy as standard.
Insulation: Diallyl phthalate.
Index: Dual-ball, hill and valley design.
Index Life: 25,000 cycles minimum.
Index Torque: Switches have lowest practical torque consistent with crisp detenting and smooth, reliable operation.
Index Angles: Positive 30° standard.
Index Stops: Adjustable standard, or continuous.
Stop Strength: 25 in. lbs. minimum.

STANDARD PART NUMBER

2 WAFER/DECK CONSTRUCTION

SWITCHES - 30° INDEXING

ADJUSTABLE STOPS SET @ 12 POS. - SOLDER LUG TERMINALS

1 WAFER/DECK CONSTRUCTION

SWITCHES - 30° INDEXING

ADJUSTABLE STOPS SET @ 6 POS. - SOLDER LUG TERMINALS

POLES	ACTIVE POSITIONS	POLES/DECK	NO. OF DECKS	SHORTING	NON-SHORTING	FIG. *
01	02-12	1	1	M4D0112S	M4D0112N	MB
02	02-12	1	2	M4D0212S	M4D0212N	MB
03	02-12	1	3	M4D0312S	M4D0312N	MB
04	02-12	1	4	M4D0412S	M4D0412N	MB

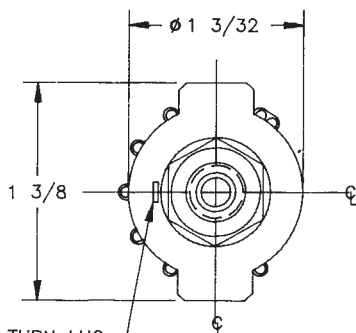
POLES	ACTIVE POSITIONS	POLES/DECK	NO. OF DECKS	SHORTING	NON-SHORTING	FIG. *
01	02-06	1	1	M4D01 06S	M4D01 06N	MA
02	02-06	1	2	M4D0206S	M4D0206N	MA
03	02-06	1	3	M4D0306S	M4D0306N	MA
04	02-06	1	4	M4D0406S	M4D0406N	MA

* FIGURES ARE SHOWN ON PAGE 57.

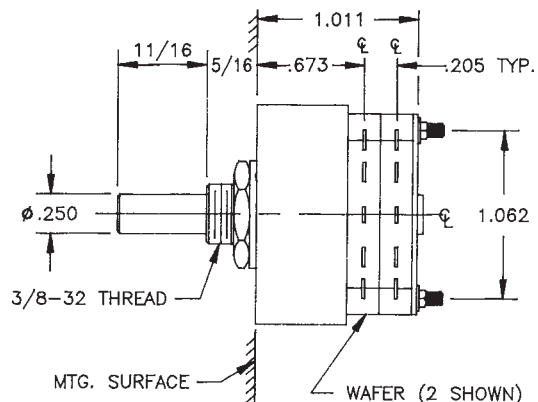
DIMENSIONS

STANDARD CONSTRUCTION

M4D - DIALLYL PHTHALATE CONSTRUCTION



NON-TURN LUG
.125W X .031 THK.
.375 FROM C-LINE
.050 ENGAGEMENT



M

How to Order Additional Options:

2 DIGIT SERIES	INSULATION TYPE	TOTAL POLES	ACTIVE POSITIONS	CONTACT TYPE	STOP TYPE	SHAFT/BUSHING	SHAFT FLAT
M4	D - DIALLYL	01 - MIN.	12 - MAX @ 30°	S - SHORTING N - NON SHORTING	A - ADJ. C - CONT.	SEE CHART "A"	SEE CHART "B"

CUSTOMERS SPECIFIED ORDER NUMBER FOR STANDARD OPTIONS				ADDITIONAL OPTIONS		
M	4	D	<input type="text"/>	<input type="text"/>	<input type="text"/>	<input type="text"/>
			(SPECIFY)	(SPECIFY)	(SPECIFY)	(SPECIFY)

SHAFT, BUSHING, AND FLAT OPTIONS

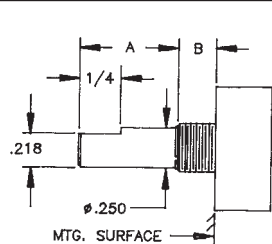


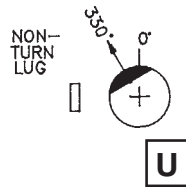
CHART "A"		
P/N OPT.	SHAFT LGTH. "A"	BUSH. LGTH. "B"
01	11/16	5/16
02	7/16	7/16

- STD

CHART "B"	
P/N OPT.	FLAT ANGLE
U	330°
B	ROUND

- STD

SHAFT AS VIEWED WITH NON-TURN LUG AT 9 O'CLOCK AND SHAFT IN EXTREME CCW POSITION AND STRUT BOLTS ORIENTED VERTICALLY.



CUSTOM SWITCHES ARE AVAILABLE. CONTACT THE FACTORY WITH YOUR COMPLETE SPECIFICATIONS.