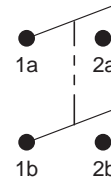
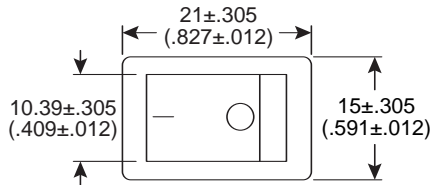
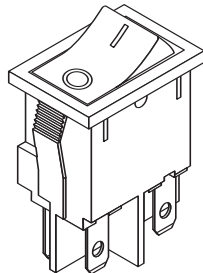
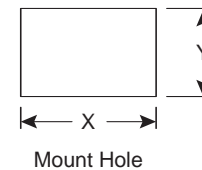
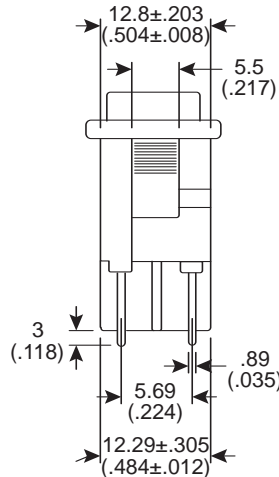
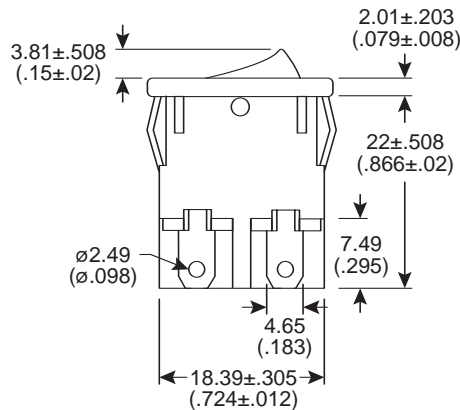


Dimensions: mm (In)



Circuit Structure



Mount Hole

Thickness	X	Y
0.75-1.25	19.2-0.1	13+0.1
1.25-2	19.4-0.1	13+0.1
2-3	19.8-0.1	13+0.1

Mechanical Specifications:

- Circuit: 4P, DPST, On-Off
- Temperature Range: -20°C ~ +70°C
- Environmental Standard: 5°C~35°C and 40%~85% R.H. If there are problems related to judgement, the reference condition shall be 25±2°C and 65±5% R.H.
- Operating Force (application of load to the tip of button in operating direction): 600±150gf

Electrical Specifications:

- Rating: 6A/250VAC, 10A/125VAC
- Contact Resistance: 30mΩ max. / 5VDC 1A
- Insulation Resistance: 100MΩ min. / 500VDC
- Dielectric Strength: 1500VAC for 1 minute
- Surge Current (in use of capacitive load): 111A/250VAC, 1/240 sec.

Rocker Switch
103-R13-73A



Available from Mouser Electronics

www.mouser.com

1-800-346-6873