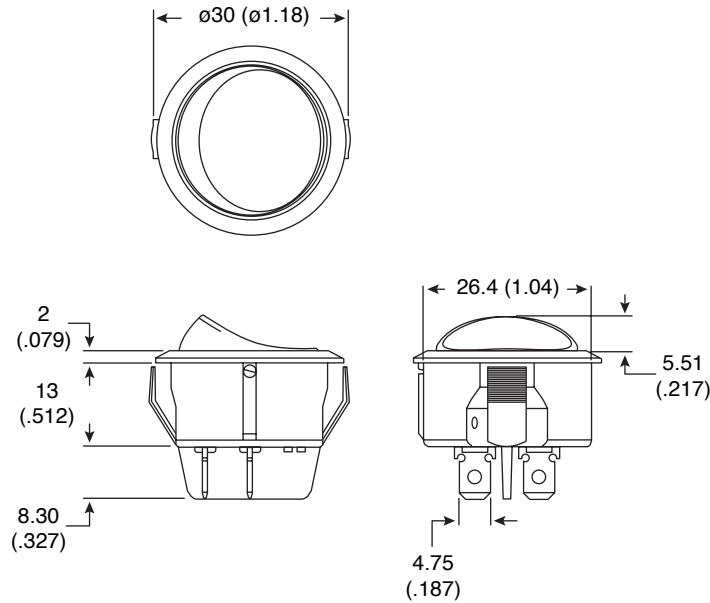


Dimensions: mm (In.)



Cutout	Circuit Arrangement
<p> <math>\phi 26.70</math> (<math>\phi 1.05</math>)  <math>\phi 27.60</math> (<math>\phi 1.08</math>)                      3mm (.118) max                 </p>	<p>                     a1 a2 a3                      b1 b2 b3                      ON OFF ON                      6P DPDT                      TERMINAL                      .187" SQ                 </p>

**Electrical Specifications:**

- Rating: 16A / 125VAC, 10A / 250VAC
- Contact Resistance: 50m $\Omega$  max.
- Insulation Resistance: 500VDC 100M $\Omega$  min.
- Dielectric Strength: 1500VAC 1 minute

**Materials:**

- Frames: Nylon (UL flame: 94V-2)
- Terminals: Silver plated
- Snap-in mounting, easy to install switch into panel

Rocker Switch  
103-R13-245D-02

