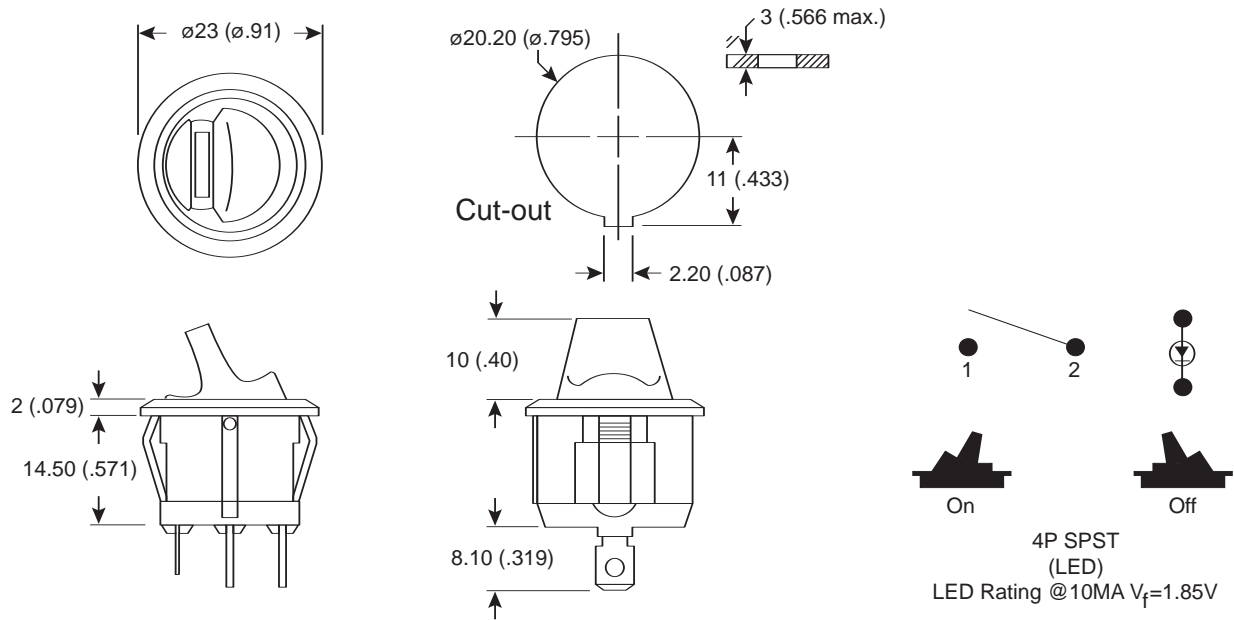


Dimensions: mm (In.)



Electrical Specifications:

- Rating: 16A/125VAC, 10A/250VAC
- Contact resistance: 50m Ω max.
- Insulation resistance: 500VDC 100M Ω min.
- Dielectric strength: 1500VAC 1 minute

Materials:

- Frames are nylon (UL flame: 94V-2).
- Terminals are silver plated brass.
- Illuminated actuators are molded in PC, available with red, yellow, and green color.
- Snap-in mounting, easy to install switch into panel

Mouser Stock No.	Color
103-R13-112LP-02R	Red
103-R13-112LP-02Y	Yellow
103-R13-112LP-02G	Green

Rocker Switches

103-R13-112LP-02R, 103-R13-112LP-02Y, 103-R13-112LP-02G



Available from Mouser Electronics

www.mouser.com

1-800-346-6873

Specifications are subject to change without notice. No liability or warranty implied by this information. Environmental compliance based on producer documentation.