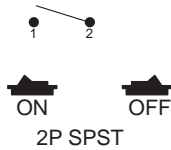
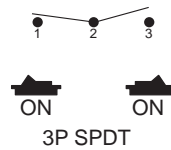


Dimensions: mm (In.)

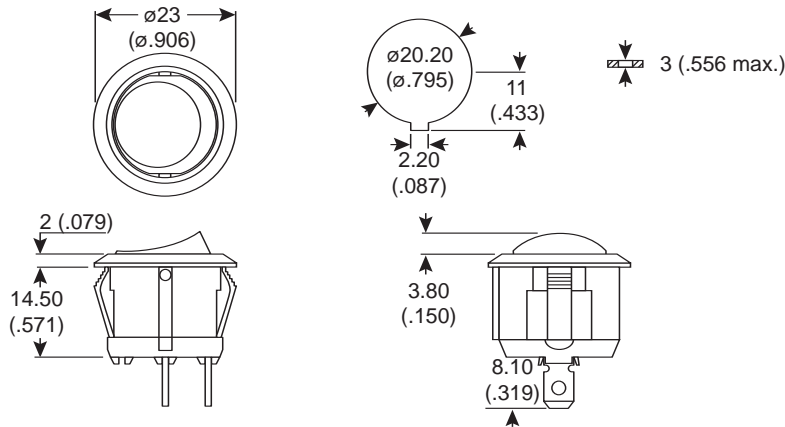
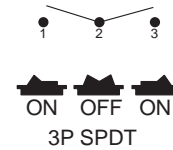
103-R13-112A-02



103-R13-112C-02



103-R13-112D-02



Electrical Specifications:

- Rating: 16A/125VAC, 10A/250VAC
- Contact resistance: 50mΩ max.
- Insulation resistance: 500VDC 100MΩ min.
- Dielectric strength: 1500VAC for 1 Minute

Materials:

- Frames: Nylon (UL flame: 94V-2)
- Terminals: Silver plated brass
- Illuminated actuators are molded in PC
- Snap-in mounting, easy to install switch into panel

Rocker Switches

103-R13-112A-02, 103-R13-112C-02, 103-R13-112D-02

