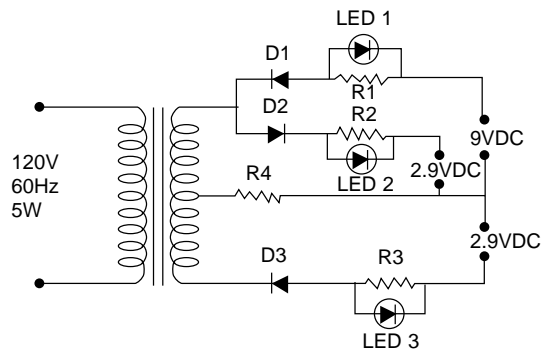
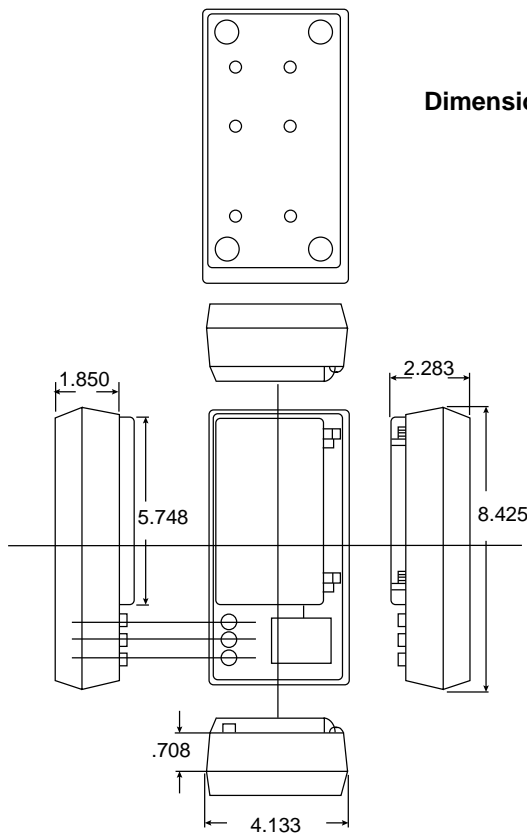


Dimensions (In.)



Specifications:

- Input: 120VAC / 60Hz 5W
- Output: 9VDC @ 14mA or 2.9VDC @ 100mA
- R1, R2: resistor 10Ω 0.5W
- R3: resistor 270Ω 0.5W
- R4: resistor 5Ω 0.5W
- D1, D2, D3: diode 1N4001 50V 1A
- LED1, LED2, LED3: LED lamp 1.6V 15mAdc
- Case material: polystyrene

Your source for quality electronics. Toll-free full service
(800) 346-6873