

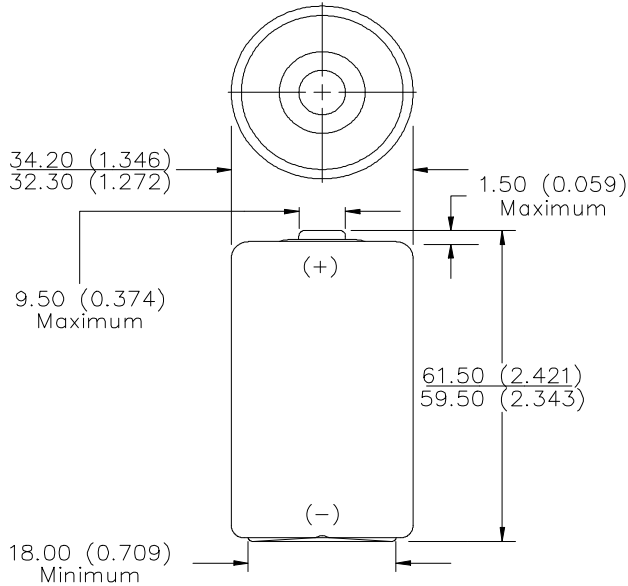
NOT INTENDED FOR RETAIL TRADE

EVEREADY NO. EV150

D



Industry Standard Dimensions in mm (inches)



Chemical System: *INDUSTRIAL SUPER HEAVY DUTY*
 Zinc-Manganese Dioxide (Zn/MnO₂)
 (No Added Mercury or Cadmium)

Designation: ANSI-13D, IEC-R20

Battery Voltage: 1.5 Volts

Average Weight: 100.3 grams (3.5 oz.)

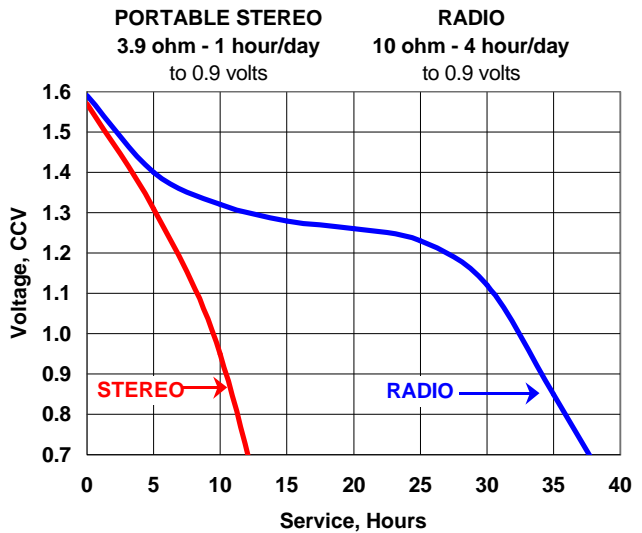
Volume: 53 cubic centimeters (3.2 cubic inch)

Cell: One No.50 (size 'D')

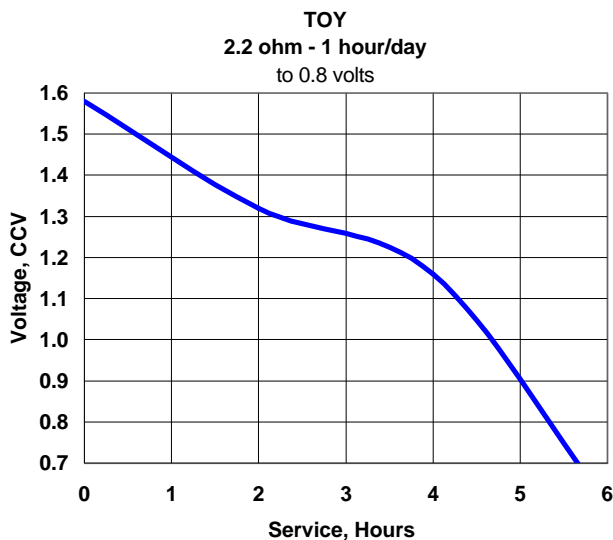
Average Capacity: 5.9 Ah to 0.8 volts
 (Rated at 25mA continuous at 21°C)

Jacket: Metal

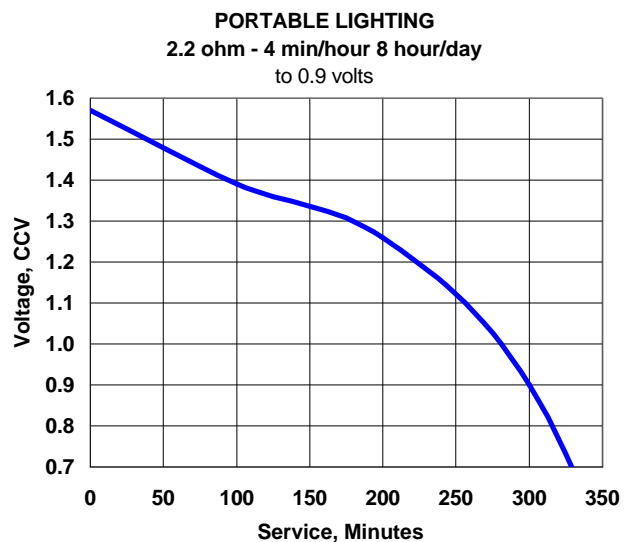
ANSI Industry Standard Test @ 20°C



ANSI Industry Standard Test @ 20°C



ANSI Industry Standard Test @ 20°C



Important Notice

This data sheet contains information specific to batteries manufactured at the time of its publication.

Contents herein do not constitute a warranty.

Copyright © Eveready Battery Co. - All rights reserved