

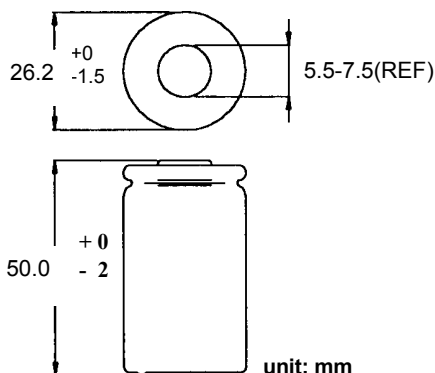
GP Batteries

Data Sheet

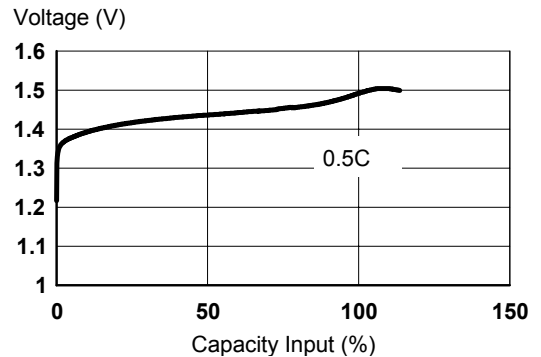
Model No.: GP400CHC

Type	: Rechargeable Nickel Metal Hydride Cylindrical Cell
Nominal Dimension (with Sleeve)	: $\varnothing = 26.2\text{mm}$ H = 50.0mm
Application	: Recommended discharge current 800mA to 12A
Nominal Voltage	: 1.2V
Nominal Capacity	: Minimum : 3880mAh Typical: 4000mAh when discharged at 800mA to 1.0V at 20°C
Charging Condition	: 400mA for 16 hrs at 20°C
Fast charge	: 2A (0.5C) with charge termination control Recommended control parameter: -delta V: 0 - 5mV dT/dt: 0.8 deg. C/min TCO: 45-50 deg. C Timer: 100% nominal input
Service Life	: >500 cycles (IEC 61951-2) Up to 1000 cycles (not less than 60% of nominal at 0.1C charge / 0.2C discharge)
Continuous Overcharge	: 400mA maximum current No conspicuous deformation and /or leakage
Weight	: 82 g
Internal Resistance	: Average 6m Ω upon fully charged (Range : 4-8m Ω) at 1000Hz
Max. Charging Voltage	: 1.5V at 400mA charging
Temperature Range	: Standard Charging : 0°C to 40°C Fast Charging : 10°C to 40°C Discharging : -20°C to 50°C Storage : -20°C to 35°C Storage (1 week) : -20°C to 60°C

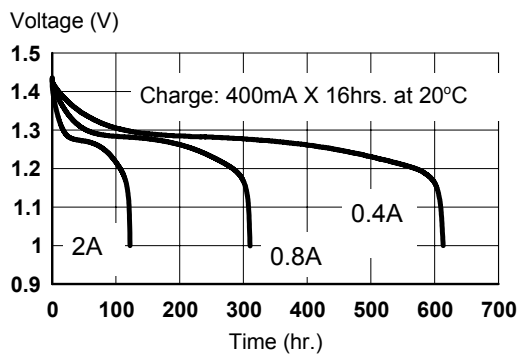
*



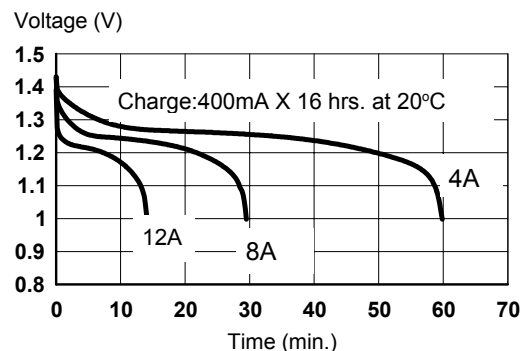
Fast Charge (Charge Control Required)



Low Drain Discharge



High Drain Discharge



* The information (subject to change without prior notice) contained in this document is for reference only and should not be used as a basis for product guarantee or warranty. For applications other than those described here, please consult GP Sales and Marketing Office or Distributors.