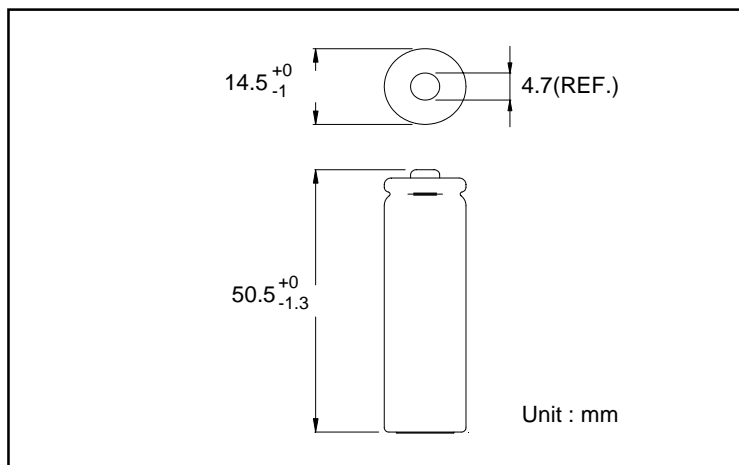


# GP Batteries

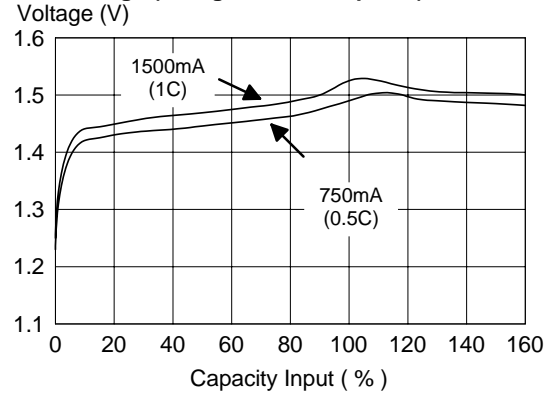
## Data Sheet

Model No.: GP150AAHC

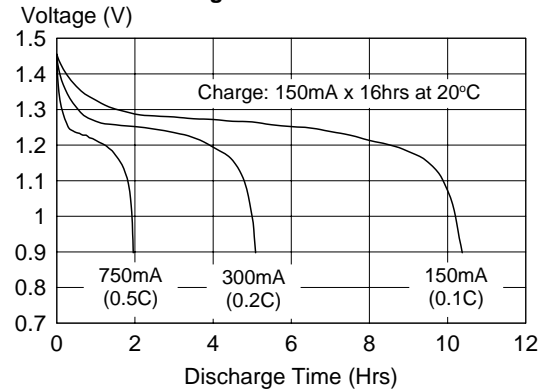
Type	: Rechargeable Nickel Metal Hydride Cylindrical Cell	
Nominal Dimension (with Sleeve)	: $\Phi = 14.5\text{mm}$ H = 50.5mm	
Applications	: Recommended discharge current 150 to 4500mA	
Nominal Voltage	: 1.2V	
Capacity	: Minimum: 1450mAh Typical: 1500mAh when discharged at 300mA to 1.0V at 20°C	
Charging Condition	: 150mA for 16 hrs at 20°C	
Fast Charge	: 750mA to 1500mA (0.5 to 1C) charge termination control recommended control parameters: - $\Delta V$ : 0 - 5mV DT/dt : 0.8°C/min (0.5 to 0.9C) : 0.8 - 1°C/min (1C) TCO : 45 - 50°C Timer : 105% nominal input	
Service Life	: >500 cycles (IEC standard) Up to 1000 cycles (not less than 60% of nominal at 0.1C charge / 0.2C discharge)	
Continuous Overcharge	: 150mA maximum current for 1 year No conspicuous deformation and/or leakage	
Weight	: 26.0g	
Internal Resistance	: Average 22m $\Omega$ upon fully charged (Range 17-38m $\Omega$ ) at 1000Hz	
Max. Charging Voltage	: 1.5V at 150mA charging	
Ambient Temperature Range	Standard Charging	: 0 to 45°C
	Fast Charging	: 10 to 45°C
	Discharging	: -20 to 50°C
	Storage	: -20 to 35°C



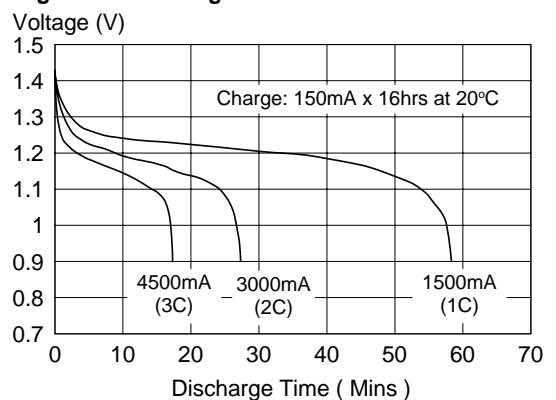
### Fast Charge (Charge control required)



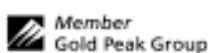
### Low Rate Discharge



### High Rate Discharge



\* The information (subject to change without prior notice) contained in this document is for reference only and should not be used as a basis for product guarantee or warranty. For applications other than those described here, please consult your nearest GP Sales and Marketing Office or Distributors.



Manufacturer reserves the right to alter or amend the design, model and specification without prior notice.

CRS3317 Rev.04