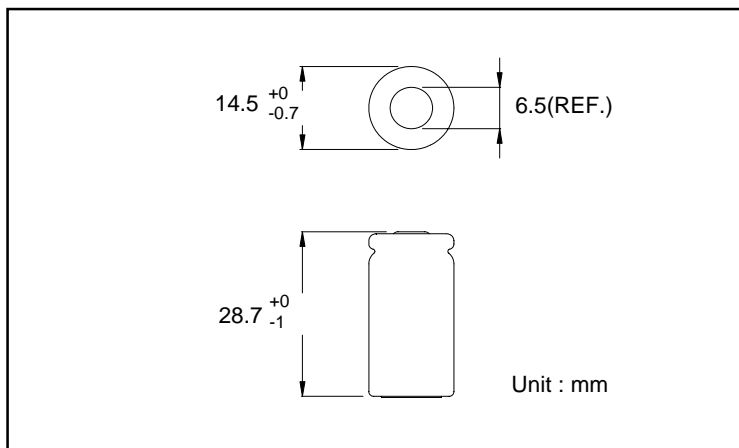


GP Batteries

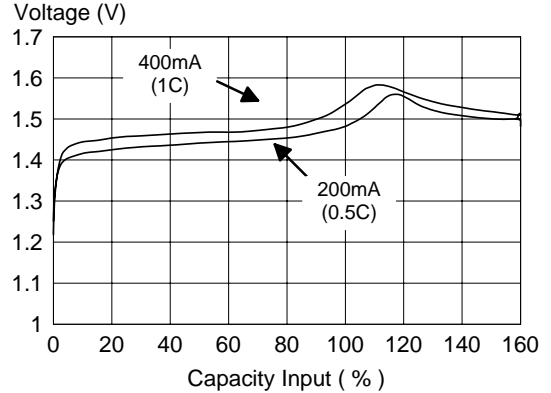
Data Sheet

Model No.: GP40AAK

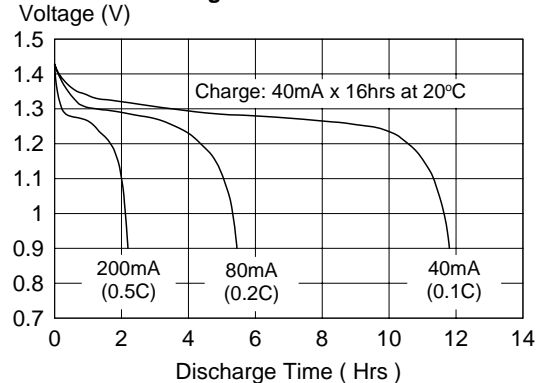
Type	: Rechargeable Nickel Cadmium Cylindrical Cell	
Nominal Dimension (with Sleeve)	: $\Phi = 14.5\text{mm}$ H = 28.7mm	
Applications	: Recommended discharge current 20 to 1200mA	
Nominal Voltage	: 1.2V	
Capacity	: Minimum: 400mAh Typical: 450mAh when discharged at 80mA to 1.0V at 20°C	
Charging Condition	: 40mA for 16 hrs at 20°C	
Fast Charge	: 200mA to 400mA (0.5 to 1C) with charge termination control Recommended control parameters: - ΔV : 10 - 20mV Timer : 120% nominal input	
Service Life	: >500 cycles (IEC standard)	
Continuous Overcharge	: 40mA maximum current for 1 year No conspicuous deformation and/or leakage	
Weight	: 12.0g	
Internal Resistance	: Average 68m Ω upon fully charged (Range 55-75m Ω) at 1000Hz	
Max. Charging Voltage	: 1.5V at 40mA charging	
Ambient Temperature Range	Standard Charging	: 0 to 45°C
	Fast Charging	: 10 to 45°C
	Discharging	: -20 to 50°C
	Storage	: -20 to 35°C



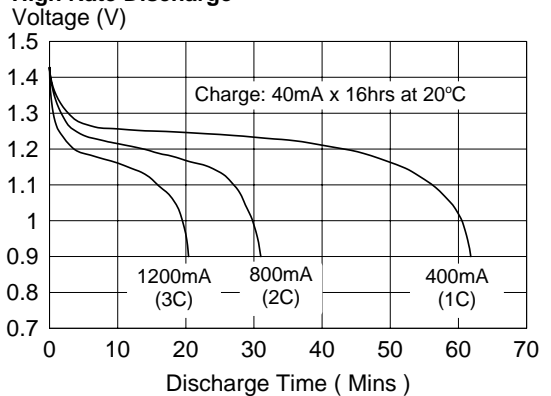
Fast Charge (Charge control required)



Low Rate Discharge



High Rate Discharge



* The information (subject to change without prior notice) contained in this document is for reference only and should not be used as a basis for product guarantee or warranty. For applications other than those described here, please consult your nearest GP Sales and Marketing Office or Distributors.



Manufacturer reserves the right to alter or amend the design, model and specification without prior notice.

CRS3040 Rev.02