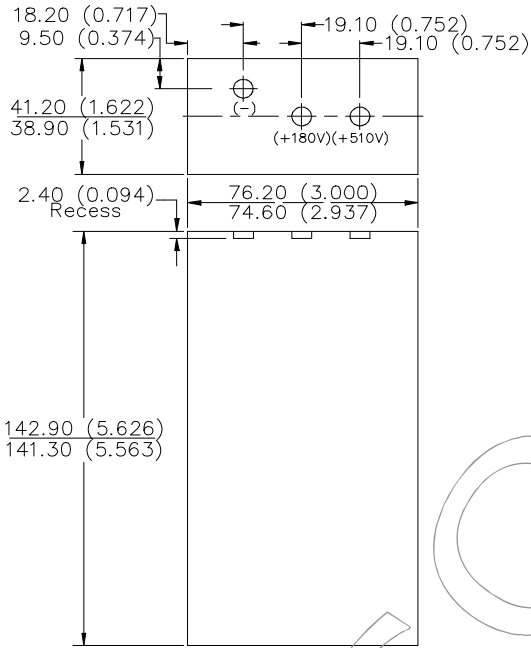


ENERGIZER NO. 497



Industry Standard Dimensions in mm (inches)



Chemical System: Zinc-Manganese Dioxide (Zn/MnO₂)

Designation: ANSI/NEDA-741, IEC-336F20

Battery Voltage: 180, 510 Volts

Average Weight: 780 grams (27.6 oz.)

Volume: 441 cubic centimeters (26.9 cubic inch)

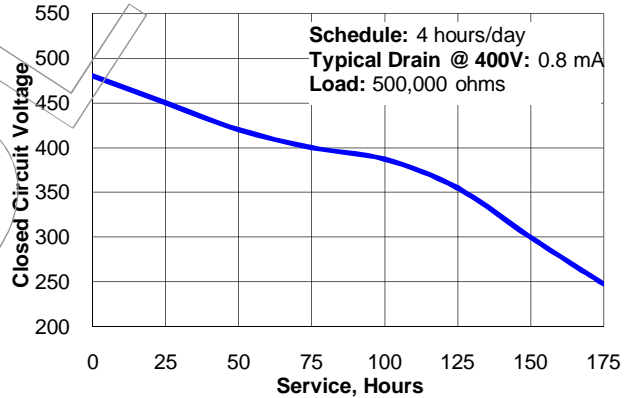
Average Capacity: 140 mAh to 0.8 volts/cell
 (Rated at 25 mA continuous drain at 21°C)

Cells: Three Hundred Thirty Six No. 112 in series

Jacket: Paper

TYPICAL DISCHARGE CURVE

Simulated Test @ 21°C (70°F)



Simulated Application Test Estimated Average Service at 21°C (70°F)

Schedule:	Typical Drains at 400V (watt-second)	Load (ohms)	Cutoff Voltage
Photoflash			380V (Two batteries in series)
1 sec/min		Load for two No. 497 batteries in series is RC circuit utilizing 990 microfarad capacitor and 500 ohms resistor.	Seconds
1 hour/day	100		500

Important Notice

This data sheet contains information specific to batteries manufactured at the time of its publication.

Contents herein do not constitute a warranty.

Copyright © Eveready Battery Co. Inc. - All Rights Reserved