



## PT-2150



### KEEPER II NON-RECHARGEABLE - LITHIUM / THIONYL CHLORIDE

**Product Name** Cylindrical Battery

### APPLICATIONS

Airports; Emergency; Industrial; Inventory Management; Measuring/Monitoring; Medical; Military; Navigation; Specialized Products

### PERFORMANCE SPECIFICATIONS

<b>Voltage (Volts)</b>	3.6
<b>Capacity (MilliAmp-Hours)</b>	1200
<b>Temperature:Low (Farenheit)</b>	-67
<b>Temperature:High (Farenheit)</b>	185

### DIMENSIONS AND WEIGHT

<b>Width/Diameter (Inches)</b>	0.57
<b>Length/Depth (Inches)</b>	0.99
<b>Weight (grams)</b>	9.20

### CELL SIZE

<b>Cell Size/Type</b>	1/2AA
-----------------------	-------

### PRODUCT NOTES

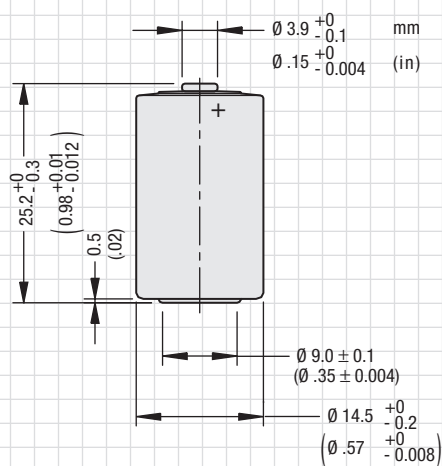
UL recognized, no charging circuits required, non-pressurized system

## SPECIFICATIONS PT-2150

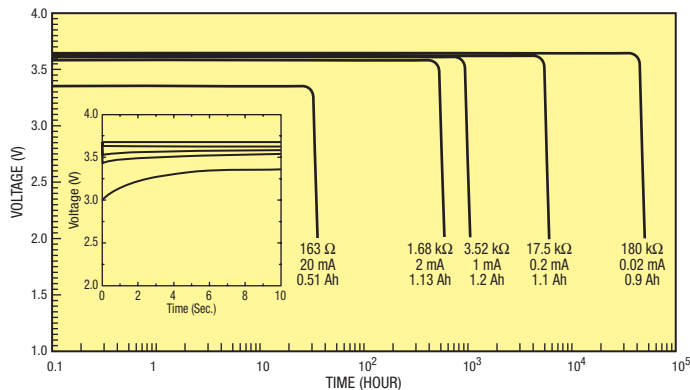
Typical values for batteries stored at 20°C for one year

Nominal Capacity (At 1mA/20°C/68°F/2.0V Cut-Off)	1.2 Ah
Open Circuit Voltage (At 20°C/68°F)	3.67 V
Nominal Voltage (At 1mA/20°C/68°F)	3.6 V
Maximum Continuous Current	50 mA
Maximum Pulse Current Capability	100 mA
Rated 1 Sec. Pulse Capability (To 3V)	20 mA
Operating Temperature Range	-55° to +85°C (-67° to +185°F)
Weight	9.2 g (0.324 oz)
Anode Surface Area	6 cm <sup>2</sup> (0.93 in <sup>2</sup> )
Volume	4.3 cm <sup>3</sup> (0.67 in <sup>3</sup> )
Diameter (Max)	14.5 mm (.57 in)
Height (Max)	25.2 mm (.99 in)

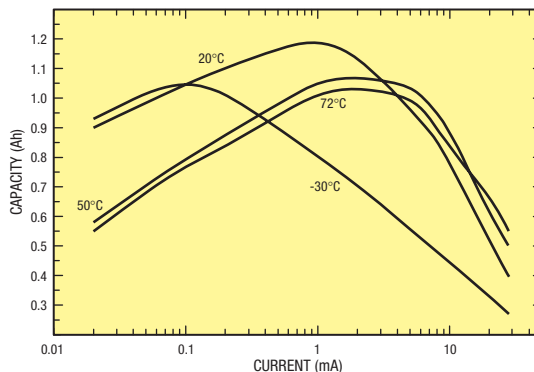
## PRODUCT SCHEMATIC



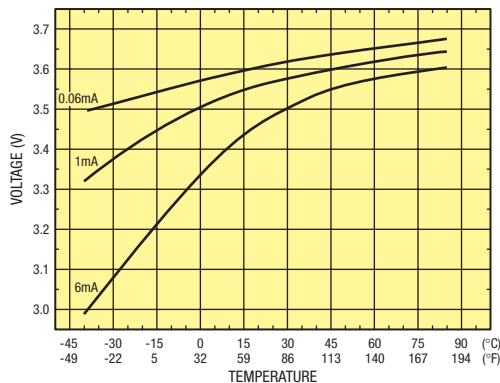
## DISCHARGE CHARACTERISTICS AT +20°C (68°F)



## CAPACITY vs. CURRENT



## TEMPERATURE vs. OPERATING VOLTAGE



WARNING: Fire, Explosion And Severe Burn Hazard. Do Not Recharge, Crush, Disassemble, Heat Above 212°F (100°C), Incinerate Or Expose Contents To Water

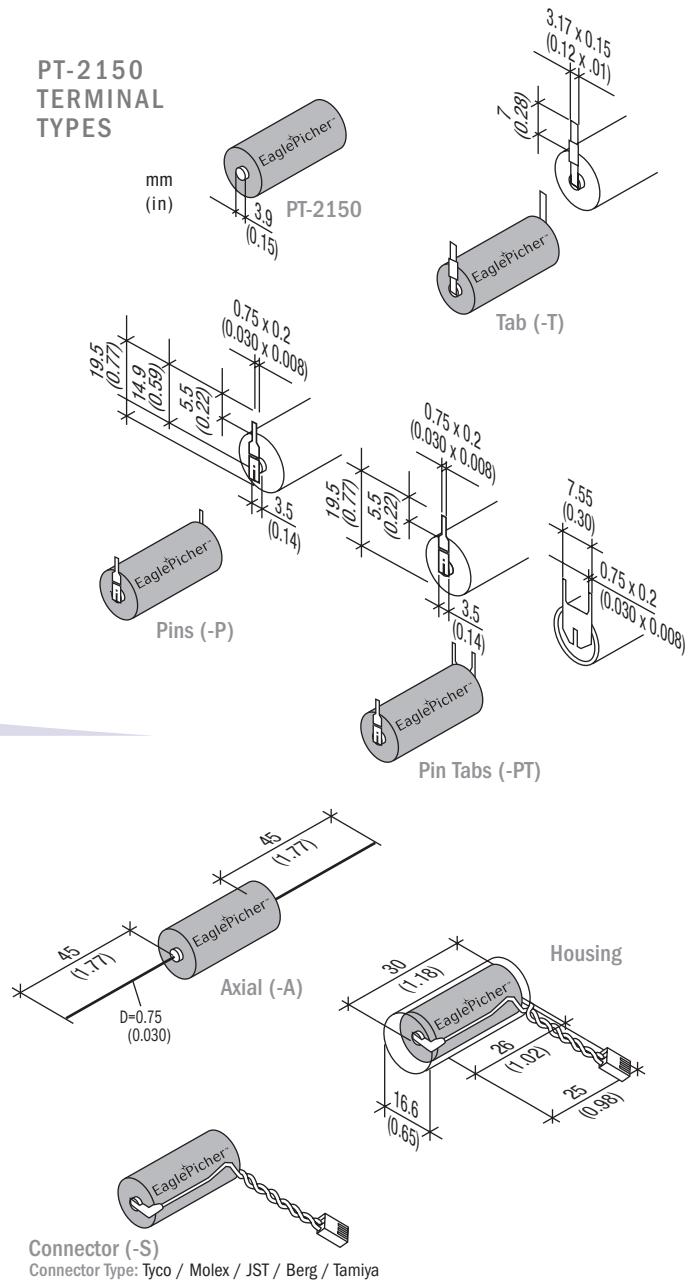
## THE ECONOMICAL HIGH-POWER SOLUTION

The EaglePicher PT Series of KEEPER® cells was developed as an economical, high-power option for design experts who prefer the cylindrical design. With sizes and capacities ranging from the 1200 mAh (PT-2150) to the 19,000 mAh (PT-2300H), this cylindrical design will provide the long life power needed for commercial applications.

## PT SERIES PRODUCT FEATURES

- Compliant with lead-free RoHS and WEEE EC directives.
- Stainless steel construction provides corrosion resistance, hermetic seal and structural integrity.
- Years of low-rate continuous use.
- Stand-by use with 80% capacity retention after 15 years at room temperature.
- Wave solderable (limit solder bath exposure to a maximum of 5 seconds).
- High energy density compared to other chemistries.
- No charging circuits required.
- Higher cell voltage allows for fewer cells and high reliability.
- Flat discharge characteristics provide optimum voltage regulation.
- Non-pressurized system allows for high-temperature usage.
- Underwriters Laboratories recognized component.

### PT-2150 TERMINAL TYPES



The specifications on this sheet may be changed by EaglePicher without notice. EaglePicher™ is a trademark of and Keeper® is a registered trademark of EaglePicher Corporation.