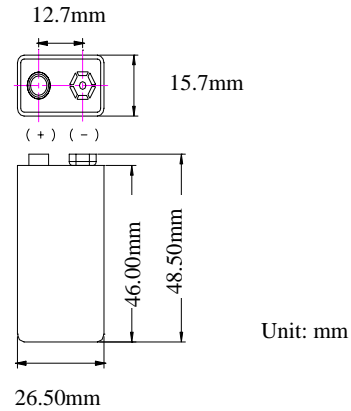
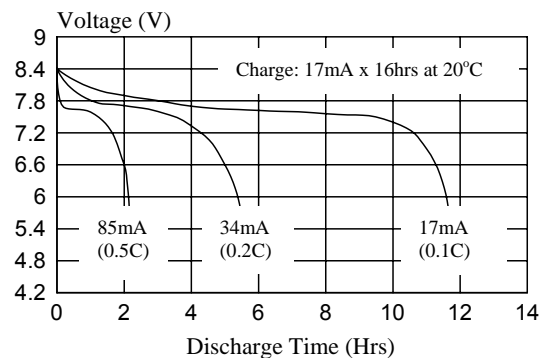


|  |   |
|--|---|
| <b>Type</b>                            | : Rechargeable Nickel Metal Hydride Cylindrical Cell  |
| <b>Nominal Dimension (with Sleeve)</b> | : 15.7mm(i) x 26.5mm(w) x 48.5mm(h)   |
| <b>Applications</b>                    | : Recommended discharge current<br>17 to 510mA  |
| <b>Nominal Voltage</b>                 | : 8.4V  |
| <b>Capacity</b>                        | : Nominal: 170mAh<br>Minimum: 170mAh<br>Typical: 175mAh<br>When discharged at 34mA to 6.0V at 20°C  |
| <b>Charging Condition</b>              | : 17mA for 16 hrs at 20°C   |
| <b>Fast Charge</b>                     | : 85mA to 170mA (0.5 to 1C) charge termination control recommended control parameters:<br>-ΔV : 0-5mV<br>**DT/dt : 0.8°C/min (0.5 to 0.9C)<br>0.8 - 1°C/min (1C)<br>**TCO : 45 - 50°C<br>**Timer : 105% nominal input<br>** for ref. only |
| <b>Service Life</b>                    | : >500 cycles (IEC standard)<br>Up to 1000 cycle (not less than 60% of nominal at 0.1C charge / 0.2C discharge)   |
| <b>Continuous Overcharge</b>           | : 17mA maximum current for 1 year.<br>No conspicuous deformation and/or leakage   |
| <b>Weight</b>                          | : 28.0g   |
| <b>Internal Resistance</b>             | : Maximum 2000mΩ upon fully charged at 1000Hz   |
| <b>Max. Charging Voltage</b>           | : 9.0V at 17mA charging   |
| <b>Ambient Temperature Range</b>       | : Standard Charge : 0 to 45°C<br>Fast Charging : 10 to 45°C<br>Discharge : -20 to 50°C<br>Storage : -20 to 35°C   |

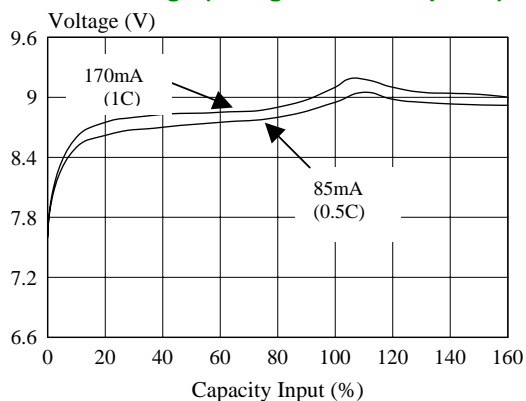
### Model No.: GP17R7H



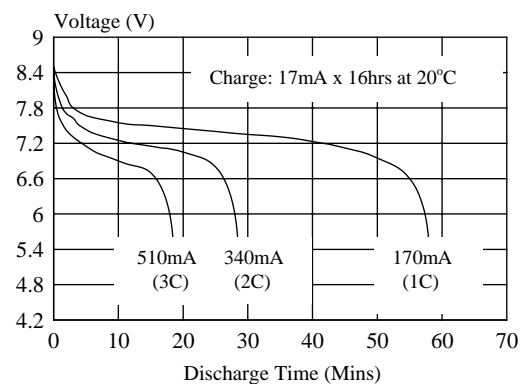
### Low Rate Discharge



### Fast Charge (Charge control required)



### High Rate Discharge



The information (subject to change without prior notice) contained in this document is for reference only and should not be used as a basis for product guarantee or warranty. For applications other than those described here, please consult your nearest GP Sales and Marketing Office or Distributors.