


Current Batteries

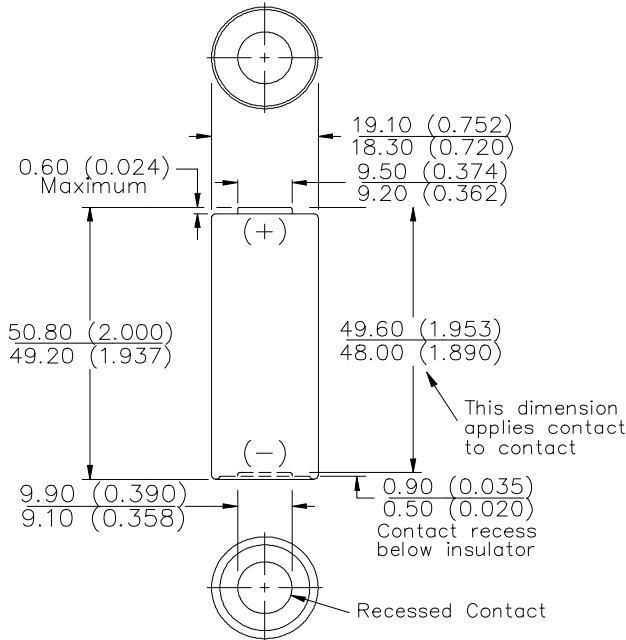
Datasheet	Picture	Size	Voltage (nom.)	ANSI	IEC	Diam. (mm)	Weight (g)	Height (mm)	Length (mm)	Width (mm)
206		Multi Cell	9	1611	N/A	19.1	32	50.8	N/A	N/A

Eveready 206



Industry Standard Dimensions

mm (inches)



Chemical System: Zinc-Manganese Dioxide (Zn/MnO₂)

Designation: ANSI / NEDA-1611

Battery Voltage: 9.0 Volts

Average Weight: 32 grams (1.1 oz.)

Volume: 14 cubic centimeters (0.9 cubic inch)

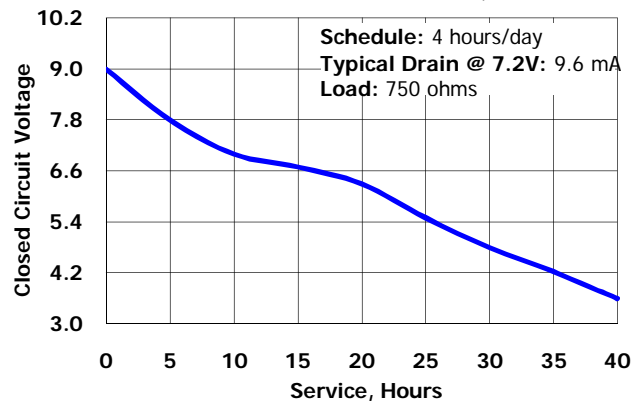
Average Capacity: 200 mAh to 0.8 volts/cell
(Rated at 25 mA continuous drain at 21°C)

Cells: Six No. 110 in series

Jacket: Metal

TYPICAL DISCHARGE CURVE

Simulated Test @ 21°C (70°F)



Simulated Application Test Estimated Average Service at 21°C (70°F)

Schedule:	Typical Drains at 7.2V (milliamperes)	Load (ohms)	Cutoff Voltage					
			4.2V	4.8V	5.4V	6.0V	6.6V	7.2V
4 hours/day	9.6	750	Hours					
			35.8	31.0	26.0	21.8	17.4	11.4
4 hours/day	12.9	560	23.9	16.9	14.9	11.7	9.4	5.5

Important Notice

This data sheet contains information specific to batteries manufactured at the time of its publication.

Contents herein do not constitute a warranty.

Copyright © Eveready Battery Co. Inc. - All Rights Reserved