



Bi-Sonic

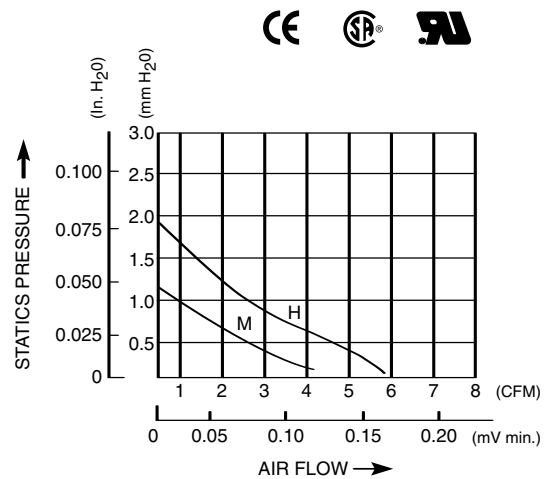
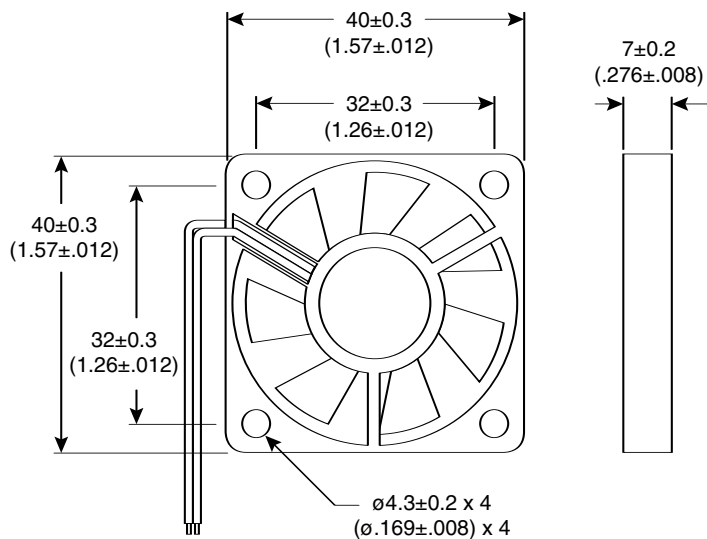
DC Brushless Fan

433-BP400705H

Date Last Revised: 4-7-05

BI-200006

Dimensions: mm (In.)



Electrical Specifications:

- Insulation Resistance: 10meg Ω min. @ 500 VDC
- Dielectric Strength: 5mA max @ 500 VAC 60Hz one minute
- Rated Voltage: 5 VDC
- Operating Voltage Range: 4.5 - 5.7
- Rated Current: 0.15A
- Rated Input Power: 0.75W
- Speed: 6700 R.P.M.
- Max. Air Flow: 0.173 m³/min, 6.11 CFM
- Max. Air Pressure: 2.21 mmH₂O, 0.087 In. H₂O
- Noise: 27 db-A

Mechanical Specifications:

- Operating temperature: -30°C to +75°C

Materials:

- Housing: Glass fiber reinforced plastic
- Impeller: PBT are UL 94V-0 rating
- Bearing: Ball
- Weight: 9 grams

Available from Mouser Electronics

1-800-346-6873

www.mouser.com

Specifications are subject to change without notice. No liability or warranty implied by this information. Environmental compliance based on producer documentation.